

# PARTS LIST

## CAUTION

- The parts identified by the  $\triangle$  symbol are important for the safety. Whenever replacing these parts, be sure to use specified ones to secure the safety .
- The parts not indicated in this Parts List and those which are filled with lines — in the Parts No. columns will not be supplied.
- P. W. Board Ass'y will not be supplied, but those which are filled with the Parts No. in the Parts No. columns will be supplied.

## ABBREVIATIONS OF RESISTORS, CAPACITORS AND TOLERANCES

RESISTORS		CAPACITORS	
C R	Carbon Resistor	C CAP.	Ceramic Capacitor
F R	Fusible Resistor	E CAP.	Electrolytic Capacitor
P R	Plate Resistor	M CAP.	Mylar Capacitor
V R	Variable Resistor	HV CAP.	High Voltage Capacitor
HV R	High Voltage Resistor	MF CAP.	Metalized Film Capacitor
MF R	Metal Film Resistor	MM CAP.	Metalized Mylar Capacitor
MG R	Metal Glazed Resistor	MP CAP.	Metalized Polystyrol Capacitor
MP R	Metal Plate Resistor	PP CAP.	Polypropylene Capacitor
OM R	Metal Oxide Film Resistor	PS CAP.	Polystyrol Capacitor
CMF R	Coating Metal Film Resistor	TF CAP.	Thin Film Capacitor
UNF R	Non-Flammable Resistor	MPP CAP.	Metalized Polypropylene Capacitor
CH V R	Chip Variable Resistor	TAN. CAP.	Tantalum Capacitor
CH MG R	Chip Metal Glazed Resistor	CH C CAP.	Chip Ceramic Capacitor
COMP. R	Composition Resistor	BP E CAP.	Bi-Polar Electrolytic Capacitor
LPTC R	Linear Positive Temperature Coefficient Resistor	CH AL E CAP.	Chip Aluminum Electrolytic Capacitor
		CH AL BP CAP.	Chip Aluminum Bi-Polar Capacitor
		CH TAN. E CAP.	Chip Tantalum Electrolytic Capacitor
		CH AL BP E CAP.	Chip Tantalum Bi-Polar Electrolytic Capacitor

TOLERANCES									
F	G	J	K	M	N	R	H	Z	P
±1%	±2%	±5%	±10%	±20%	±30%	+30% -10%	+50% -10%	+80% -20%	+100% -0%

# CONTENTS

- USING PW BOARD & REMOTE CONTROL UNIT ..... 32
- EXPLODED VIEW PARTS LIST ..... 33, 34
- EXPLODED VIEW ..... 33, 35
- PRINTED WIRING BOARD PARTS LIST

## AV32S2EKGR / AV32S2EKBL

- MAIN PW BOARD ASS'Y ..... 36
- POWER & DEF. PW BOARD ASS'Y ..... 39
- CRT SOCKET PW BOARD ASS'Y ..... 40
- FRONT CONTROL PW BOARD ASS'Y ..... 41
- SIDE CONTROL PW BOARD ASS'Y ..... 41
- AV SEL. PW BOARD ASS'Y ..... 42

## AV32S2EIGR

- MAIN PW BOARD ASS'Y ..... 44
- POWER & DEF. PW BOARD ASS'Y ..... 46
- CRT SOCKET PW BOARD ASS'Y ..... 46
- FRONT CONTROL PW BOARD ASS'Y ..... 46
- SIDE CONTROL PW BOARD ASS'Y ..... 46
- AV SEL. PW BOARD ASS'Y ..... 47

- REMOTE CONTROL UNIT PARTS LIST ..... 49
- PACKING ..... 50
- PACKING PARTS LIST ..... 50

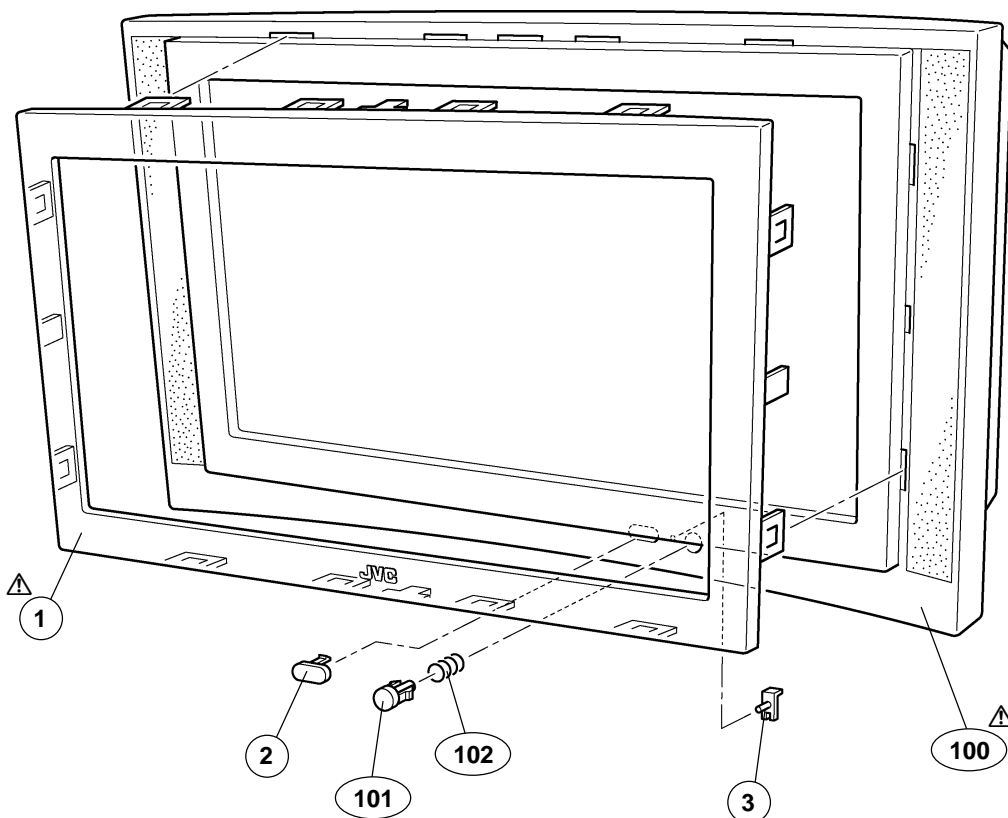
## USING PW BOARD & REMOTE CONTROL UNIT

Model	AV32S2EKGR	AV32S2EKBL	AV32S2EIGR
PWB ASS'Y			
MAIN PWB	SJK-1914A-U2	←	SJK-1714A-U2
POWER & DEF. PWB	SJK-2514A-U2	←	←
CRT SOCKET PWB	SJK-3514A-U2	←	←
FRONT CONTROL PWB	SJK-8514A-U2	←	←
SIDE CONTROL PWB	SJK-8551A-U2	←	←
AV SEL. PWB	SJK0S914A-U2	←	SJK0S714A-U2
REMOTE CONTROL UNIT	RM-C55-1C	←	←

## EXPORTED VIEW PARTS LIST (1)

△ Ref.No.	Part No.	Part Name	Description
<b>AV32S2EKGR / AV32S2EKBL</b>			
△ 1	LC10851-002B-U	FRONT PANEL	[AV32S2EKGR]
△ 1	LC10851-003A-U	FRONT PANEL	[AV32S2EKBL]
2	LC31203-001A-C	REMOCON WINDOW	
3	LC31202-001A-C	L.E.D. LENS	
△ 100	LC10854-002A-U	F CABI ASSY	Inc.No.101~102
101	LC31201-002A-U	POWER KNOB	(SERVICE)
102	AEM3149-001-E	SPRING	
<b>AV32S2EIGR</b>			
△ 1	LC10851-002B-U	FRONT PANEL	
2	LC31203-001B-C	REMOCON WINDOW	
3	LC31202-001A-C	L.E.D. LENS	
△ 100	LC10854-002A-U	F CABI ASSY	Inc.No.101~102
101	LC31201-002A-U	POWER KNOB	(SERVICE)
102	AEM3149-001-E	SPRING	

## EXPLODED VIEW (1)

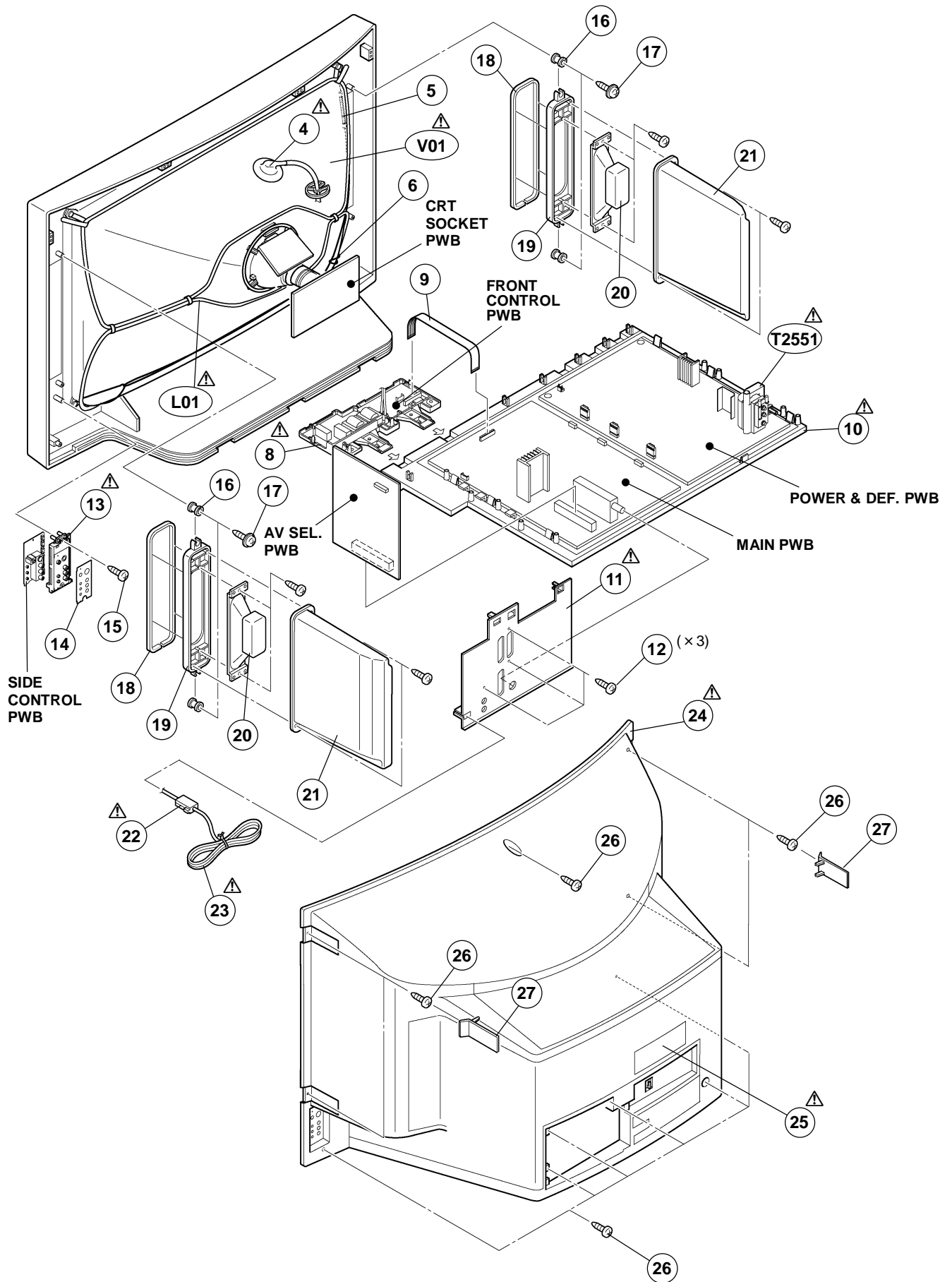


AV32S2EKGR  
 AV32S2EKBL  
 AV32S2EIGR

## EXPLODED VIEW PARTS LIST (2)

△ Ref.No.	Part No.	Part Name	Description
<b>AV32S2EKGR / AV32S2EKBL</b>			
△ V01	W76EKW10X21	ITC TUBE(C)	Inc.DY,PC MAGNET.WEDGE
△ L01	QQW0105-001	DEG.COIL	
△ T2551	QQH0094-002-I2	H.V.TRANSF.	(SERVICE)With ANODE WIRE
△ 4	QNZ0369-001	ANODE WIRE	
5	WJY0001-010A	BRAIDED ASSY	
6	WJY0013-002A	BRAIDED SUB ASSY	
△ 8	LC10855-001B-U	CONTROL BASE	
9	CHFD125-18BD	FFC WIRE	
△ 10	LC10716-002F-U	CHASSIS BASE	
△ 11	LC10717-006A-U	TERMINAL BOARD	
12	QYSBSB3012M	TAPPING SCREW	For AV BOARD(×3)
△ 13	LC10856-001B-U	CONTROL BASE	
14	LC31205-002A-U	CONTROL SHEET	
15	QYSBSB3012M	TAPPING SCREW	For SIDE CONTROL BASE (×1)
16	AEM4087-001-E	BUSHING	(×4)
17	LC40506-001A	TAPPING SCREW	(×4)
18	LC30599-005A	STICK SHEET	(×2)
19	LC11017-001A-U	SPEAKER ADAPTER	(×2)
20	QAS0072-001	SPEAKER	(×2)
21	LC10858-001B-U	SPEAKER BOX	(×2)
△ 22	CM46618-A01-E	POWER CORD CLAMP	
△ 23	QMPN130-185-JC	POWER CORD	
△ 24	LC10853-001D-U	REAR COVER	
△ 25	LC20091-034A-U	RATING LABEL	[AV32S2EKGR]
△ 25	LC20091-035A-U	RATING LABEL	[AV32S2EKBL]
26	QYSBSAG4016N	TAPPING SCREW	(×11)For REAR COVER
△ 27	LC20603-002A-U	SCREW CAP	(×4)

<b>AV32S2EIGR</b>			
△ V01	W76EKW10X21	ITC TUBE(C)	Inc.DY,PC MAGNET.WEDGE
△ L01	QQW0105-001	DEG.COIL	
△ T2551	QQH0094-002-I2	H.V.TRANSF.	(SERVICE)With ANODE WIRE
△ 4	QNZ0369-001	ANODE WIRE	
5	WJY0001-010A	BRAIDED ASSY	
6	WJY0013-002A	BRAIDED SUB ASSY	
△ 8	LC10855-001B-U	CONTROL BASE	
9	CHFD125-18BD	FFC WIRE	
△ 10	LC10716-002F-U	CHASSIS BASE	
△ 11	LC10717-006A-U	TERMINAL BOARD	
12	QYSBSB3012M	TAPPING SCREW	For AV BOARD(×3)
△ 13	LC10856-001C-U	SIDE CONT BASE	
14	LC31205-002A-U	CONTROL SHEET	
15	QYSBSB3012M	TAPPING SCREW	For SIDE CONTROL BASE(×1)
16	AEM4087-001-E	BUSHING	(×4)
17	LC40506-001A	TAPPING SCREW	(×4)
18	LC30599-005A	STICK SHEET	(×2)
19	LC11017-001A-U	SPEAKER ADAPTER	(×2)
20	QAS0072-001	SPEAKER	(×2)
21	LC10858-001B-U	SPEAKER BOX	(×2)
△ 22	CM46618-A01-E	POWER CORD CLAMP	
△ 23	QMPN130-185-JC	POWER CORD	
△ 24	LC10853-001E-U	REAR COVER	
△ 25	LC20091-036A-U	RATING LABEL	
26	QYSBSAG4016N	TAPPING SCREW	(×11)For REAR COVER
△ 27	LC20603-002A-U	SCREW CAP	(×4)



# AV32S2EKGR / AV32S2EKBL

## PRINTED WIRING BOARD PARTS LIST

### ■ MAIN P.W. BOARD ASS'Y (SJK-1914A-U2)

△ Symbol No.	Part No.	Part Name	Description
<b>RESISTOR</b>			
R1001	NRSA02J-102X	MG R	1kΩ 1/10W J
R1004-06	NRSA02J-102X	MG R	1kΩ 1/10W J
R1007	NRSA02J-104X	MG R	100kΩ 1/10W J
R1008	NRSA02J-0R0X	MG R	0.0Ω 1/10W J
R1301	NRSA02J-103X	MG R	10kΩ 1/10W J
R1302	NRSA02J-183X	MG R	18kΩ 1/10W J
R1303	NRSA02J-153X	MG R	15kΩ 1/10W J
R1304	QRG01GJ-121	OM R	120Ω 1W J
R1305	NRSA02J-562X	MG R	5.6kΩ 1/10W J
R1306	NRSA02J-222X	MG R	2.2kΩ 1/10W J
R1307	NRSA02J-102X	MG R	1kΩ 1/10W J
R1308	NRSA02J-471X	MG R	470Ω 1/10W J
R1309	NRSA02J-222X	MG R	2.2kΩ 1/10W J
R1310-11	NRSA02J-391X	MG R	390Ω 1/10W J
R1312-13	NRSA02J-101X	MG R	100Ω 1/10W J
R1314	NRSA02J-562X	MG R	5.6kΩ 1/10W J
R1316	NRSA02J-224X	MG R	220kΩ 1/10W J
R1317	NRSA02J-101X	MG R	100Ω 1/10W J
R1318-21	NRSA02J-102X	MG R	1kΩ 1/10W J
R1327	NRSA02J-0R0X	MG R	0.0Ω 1/10W J
R1328-29	NRSA02J-102X	MG R	1kΩ 1/10W J
R1330	NRSA02J-472X	MG R	4.7kΩ 1/10W J
R1331	NRSA02J-333X	MG R	33kΩ 1/10W J
R1332-33	NRSA02J-222X	MG R	2.2kΩ 1/10W J
R1335	NRSA02J-273X	MG R	27kΩ 1/10W J
R1336	NRSA02J-103X	MG R	10kΩ 1/10W J
R1337	NRSA02J-102X	MG R	1kΩ 1/10W J
R1338	NRSA02J-562X	MG R	5.6kΩ 1/10W J
R1339	NRSA02J-102X	MG R	1kΩ 1/10W J
R1340-41	NRSA02J-333X	MG R	33kΩ 1/10W J
R1342	NRSA02J-152X	MG R	1.5kΩ 1/10W J
R1343	NRSA02J-272X	MG R	2.7kΩ 1/10W J
R1344	NRSA02J-471X	MG R	470Ω 1/10W J
R1345	NRSA02J-102X	MG R	1kΩ 1/10W J
R1346	NRSA02J-223X	MG R	22kΩ 1/10W J
R1401-02	NRSA02J-103X	MG R	10kΩ 1/10W J
R1403	NRSA02J-102X	MG R	1kΩ 1/10W J
R1404	NRSA02J-183X	MG R	18kΩ 1/10W J
R1405	NRSA02J-223X	MG R	22kΩ 1/10W J
R1409	NRSA02J-0R0X	MG R	0.0Ω 1/10W J
R1411	NRVA02D-473X	MF R	47kΩ 1/10W D
R1413	NRVA02D-223X	MF R	22kΩ 1/10W D
R1414	NRVA02D-101X	MF R	100Ω 1/10W D
R1415	NRSA02J-562X	MG R	5.6kΩ 1/10W J
R1416	NRSA02J-101X	MG R	100Ω 1/10W J
R1417	NRSA02J-223X	MG R	22kΩ 1/10W J
R1418	NRSA02J-682X	MG R	6.8kΩ 1/10W J
R1419	NRSA02J-562X	MG R	5.6kΩ 1/10W J
R1420	NRSA02J-123X	MG R	12kΩ 1/10W J
R1501	NRSA02J-621X	MG R	620Ω 1/10W J
R1502	NRSA02J-103X	MG R	10kΩ 1/10W J
R1503	NRSA02J-104X	MG R	100kΩ 1/10W J
R1504	NRSA02J-822X	MG R	8.2kΩ 1/10W J
R1505-06	NRSA02J-221X	MG R	220Ω 1/10W J
R1507	NRSA02J-102X	MG R	1kΩ 1/10W J
R1508-09	NRSA02J-223X	MG R	22kΩ 1/10W J
R1511	NRSA02J-0R0X	MG R	0.0Ω 1/10W J
R1514	NRSA02J-472X	MG R	4.7kΩ 1/10W J
R1516	NRSA02J-222X	MG R	2.2kΩ 1/10W J
R1517	NRSA02J-472X	MG R	4.7kΩ 1/10W J
R1518	NRSA02J-682X	MG R	6.8kΩ 1/10W J
R1519	NRSA02J-562X	MG R	5.6kΩ 1/10W J
R1520	NRSA02J-152X	MG R	1.5kΩ 1/10W J
R1551	QRK126J-100X	C R	10Ω 1/2W J
R1552	NRSA02J-124X	MG R	120kΩ 1/10W J
R1553	NRSA02J-683X	MG R	68kΩ 1/10W J

△ Symbol No.	Part No.	Part Name	Description
<b>RESISTOR</b>			
R1554	NRSA02J-333X	MG R	33kΩ 1/10W J
R1555	NRSA02J-472X	MG R	4.7kΩ 1/10W J
R1556	NRSA02J-154X	MG R	150kΩ 1/10W J
R1557-58	NRSA02J-562X	MG R	5.6kΩ 1/10W J
R1559	NRSA02J-0R0X	MG R	0.0Ω 1/10W J
R1560	NRSA02J-104X	MG R	100kΩ 1/10W J
R1561	QRK126J-100X	C R	10Ω 1/2W J
R1571	NRSA02J-101X	MG R	100Ω 1/10W J
R1572	NRSA02J-133X	MG R	13kΩ 1/10W J
R1573	NRSA02J-821X	MG R	820Ω 1/10W J
R1602	NRSA02J-104X	MG R	100kΩ 1/10W J
R1604	NRSA02J-393X	MG R	39kΩ 1/10W J
R1605	NRSA02J-681X	MG R	680Ω 1/10W J
R1606	NRSA02J-393X	MG R	39kΩ 1/10W J
R1607	NRSA02J-681X	MG R	680Ω 1/10W J
R1608-09	NRSA02J-183X	MG R	18kΩ 1/10W J
R1610-11	NRSA02J-822X	MG R	8.2kΩ 1/10W J
R1633	NRSA02J-273X	MG R	27kΩ 1/10W J
R1638	NRSA02J-473X	MG R	47kΩ 1/10W J
R1648	NRSA02J-104X	MG R	100kΩ 1/10W J
R1649	NRSA02J-682X	MG R	6.8kΩ 1/10W J
R1650	NRSA02J-104X	MG R	100kΩ 1/10W J
R1660	QRK126J-2R2X	C R	2.2Ω 1/2W J
R1661	NRSA02J-103X	MG R	10kΩ 1/10W J
R1663	NRSA02J-561X	MG R	560Ω 1/10W J
R1664	NRSA02J-562X	MG R	5.6kΩ 1/10W J
R1683	QRK126J-2R2X	C R	2.2Ω 1/2W J
R1689	NRSA02J-473X	MG R	47kΩ 1/10W J
R1690	QRG01GJ-270	OM R	27Ω 1W J
R1701	NRSA02J-221X	MG R	220Ω 1/10W J
R1702	NRSA02J-822X	MG R	8.2kΩ 1/10W J
R1703	NRSA02J-273X	MG R	27kΩ 1/10W J
R1704	NRSA02J-473X	MG R	47kΩ 1/10W J
R1705	NRSA02J-102X	MG R	1kΩ 1/10W J
R1706	NRSA02J-223X	MG R	22kΩ 1/10W J
R1707-12	NRSA02J-103X	MG R	10kΩ 1/10W J
R1713-14	NRSA02J-102X	MG R	1kΩ 1/10W J
R1716	NRSA02J-102X	MG R	1kΩ 1/10W J
R1717	NRSA02J-104X	MG R	100kΩ 1/10W J
R1718-19	NRSA02J-682X	MG R	6.8kΩ 1/10W J
R1720	NRSA02J-472X	MG R	4.7kΩ 1/10W J
R1721	NRSA02J-103X	MG R	10kΩ 1/10W J
R1722	NRSA02J-472X	MG R	4.7kΩ 1/10W J
R1723	NRSA02J-102X	MG R	1kΩ 1/10W J
R1724-28	NRSA02J-472X	MG R	4.7kΩ 1/10W J
R1729-31	NRSA02J-221X	MG R	220Ω 1/10W J
R1732	NRSA02J-562X	MG R	5.6kΩ 1/10W J
R1733	NRSA02J-103X	MG R	10kΩ 1/10W J
R1734	NRSA02J-223X	MG R	22kΩ 1/10W J
R1736-39	NRSA02J-103X	MG R	10kΩ 1/10W J
R1740	NRSA02J-331X	MG R	330Ω 1/10W J
R1741-42	NRSA02J-102X	MG R	1kΩ 1/10W J
R1745-47	NRSA02J-472X	MG R	4.7kΩ 1/10W J
R1748-52	NRSA02J-221X	MG R	220Ω 1/10W J
R1753	NRSA02J-102X	MG R	1kΩ 1/10W J
R1754	NRSA02J-683X	MG R	68kΩ 1/10W J
R1755	NRSA02J-102X	MG R	1kΩ 1/10W J
R1756	NRSA02J-103X	MG R	10kΩ 1/10W J
R1759	NRSA02J-472X	MG R	4.7kΩ 1/10W J
R1763	NRSA02J-103X	MG R	10kΩ 1/10W J
R1764-66	NRSA02J-221X	MG R	220Ω 1/10W J
R1767	NRSA02J-103X	MG R	10kΩ 1/10W J
R1770	NRSA02J-272X	MG R	2.7kΩ 1/10W J
R1771-73	NRSA02J-222X	MG R	2.2kΩ 1/10W J
R1774-75	NRSA02J-333X	MG R	33kΩ 1/10W J
R1777-79	NRSA02J-222X	MG R	2.2kΩ 1/10W J

△ Symbol No. Part No. Part Name Description

**RESISTOR**

R1780	NRSA02J-102X	MG R	1kΩ	1/10W	J
R1784-85	NRSA02J-223X	MG R	22kΩ	1/10W	J
R1786	NRSA02J-473X	MG R	47kΩ	1/10W	J
R1787	NRSA02J-332X	MG R	3.3kΩ	1/10W	J
R1788	NRSA02J-272X	MG R	2.7kΩ	1/10W	J
R1789	NRSA02J-473X	MG R	47kΩ	1/10W	J
R1790	NRSA02J-682X	MG R	6.8kΩ	1/10W	J
R1801	NRSA02J-333X	MG R	33kΩ	1/10W	J
R1802	NRSA02J-222X	MG R	2.2kΩ	1/10W	J
R1804	NRSA02J-473X	MG R	47kΩ	1/10W	J
R1805	NRSA02J-332X	MG R	3.3kΩ	1/10W	J
R1806	NRSA02J-184X	MG R	180kΩ	1/10W	J
R1834	NRSA02J-473X	MG R	47kΩ	1/10W	J
R1835	NRSA02J-152X	MG R	1.5kΩ	1/10W	J
R1837	NRSA02J-102X	MG R	1kΩ	1/10W	J
R1838	NRSA02J-393X	MG R	39kΩ	1/10W	J
R1839	NRSA02J-332X	MG R	3.3kΩ	1/10W	J
R1840	NRSA02J-152X	MG R	1.5kΩ	1/10W	J
R1841	NRSA02J-331X	MG R	330Ω	1/10W	J
R1842	NRSA02J-222X	MG R	2.2kΩ	1/10W	J
R1843	NRSA02J-332X	MG R	3.3kΩ	1/10W	J
R1844	NRSA02J-392X	MG R	3.9kΩ	1/10W	J
R1845	NRSA02J-272X	MG R	2.7kΩ	1/10W	J
R1846	NRSA02J-103X	MG R	10kΩ	1/10W	J
R1847-48	NRSA02J-472X	MG R	4.7kΩ	1/10W	J
R1849	NRSA02J-823X	MG R	82kΩ	1/10W	J
R1850-56	NRSA02J-102X	MG R	1kΩ	1/10W	J
R1857	NRSA02J-472X	MG R	4.7kΩ	1/10W	J
R1858	NRSA02J-223X	MG R	22kΩ	1/10W	J
R1859	NRSA02J-823X	MG R	82kΩ	1/10W	J
R1871	NRSA02J-102X	MG R	1kΩ	1/10W	J
R1872-73	NRSA02J-222X	MG R	2.2kΩ	1/10W	J
R1874	NRSA02J-272X	MG R	2.7kΩ	1/10W	J
R1875	NRSA02J-104X	MG R	100kΩ	1/10W	J
R1876	NRSA02J-102X	MG R	1kΩ	1/10W	J
R1877	NRSA02J-393X	MG R	39kΩ	1/10W	J
R1878-80	NRSA02J-152X	MG R	1.5kΩ	1/10W	J
R1881-82	NRSA02J-331X	MG R	330Ω	1/10W	J
R1883	NRSA02J-102X	MG R	1kΩ	1/10W	J
R1884	NRSA02J-331X	MG R	330Ω	1/10W	J

**CAPACITOR**

C1001	NCB21HK-222X	C CAP.	2200pF	50V	K
C1003	NCB21EK-104X	C CAP.	0.1μF	25V	K
C1004	QETN1CM-108Z	E CAP.	1000μF	16V	M
C1005	QETN1CM-107Z	E CAP.	100μF	16V	M
C1006	QETN1HM-106Z	E CAP.	10μF	50V	M
C1007	NCB21EK-104X	C CAP.	0.1μF	25V	K
C1008	QETN1HM-106Z	E CAP.	10μF	50V	M
C1009	NCB21EK-104X	C CAP.	0.1μF	25V	K
C1010	QETN1CM-107Z	E CAP.	100μF	16V	M
C1301	NCB21EK-104X	C CAP.	0.1μF	25V	K
C1302	NCB21HK-823X	CHIP CAP.	0.082μF	50V	K
C1303	QETN1EM-476Z	E CAP.	47μF	25V	M
C1304	NCB21HK-103X	C CAP.	0.01μF	50V	K
C1305	QETN1CM-107Z	E CAP.	100μF	16V	M
C1306	NCB21HK-103X	C CAP.	0.01μF	50V	K
C1307	QETN1CM-477Z	E CAP.	470μF	16V	M
C1308	NDC21HJ-120X	C CAP.	12pF	50V	J
C1309	QETN1HM-475Z	E CAP.	4.7μF	50V	M
C1310	NCB21HK-103X	C CAP.	0.01μF	50V	K
C1311	QETN1HM-106Z	E CAP.	10μF	50V	M
C1312	NDC21HJ-680X	C CAP.	68pF	50V	J
C1313	QETN1CM-107Z	E CAP.	100μF	16V	M
C1314	NCB21HK-103X	C CAP.	0.01μF	50V	K
C1315	QETN1HM-106Z	E CAP.	10μF	50V	M
C1319	QETN1CM-107Z	E CAP.	100μF	16V	M
C1320	NCB21HK-103X	C CAP.	0.01μF	50V	K
C1321-23	NCB21EK-104X	C CAP.	0.1μF	25V	K
C1324-26	QETN1HM-105Z	E CAP.	1μF	50V	M
C1327	QETN1HM-475Z	E CAP.	4.7μF	50V	M
C1328	QETN1CM-107Z	E CAP.	100μF	16V	M

△ Symbol No. Part No. Part Name Description

**CAPACITOR**

C1329	QETN1EM-476Z	E CAP.	47μF	25V	M
C1331	QETN1HM-105Z	E CAP.	1μF	50V	M
C1332	NCB21HK-103X	C CAP.	0.01μF	50V	K
C1333	NCB21EK-104X	C CAP.	0.1μF	25V	K
C1401	QETN1HM-105Z	E CAP.	1μF	50V	M
C1403-05	NCB21HK-103X	C CAP.	0.01μF	50V	K
C1406	QFV71HJ-184Z	MF CAP.	0.18μF	50V	J
C1407	QFV71HJ-824Z	MF CAP.	0.82μF	50V	J
C1408	NCB21HK-153X	C CAP.	0.015μF	50V	K
C1501	QETN1CM-107Z	E CAP.	100μF	16V	M
C1502-04	NCB21HK-103X	C CAP.	0.01μF	50V	K
C1505	NCB21HK-332X	C CAP.	3300pF	50V	K
C1506	QETN1HM-335Z	E CAP.	3.3μF	50V	M
C1507	NCB21HK-103X	C CAP.	0.01μF	50V	K
C1508	QETN1CM-108Z	E CAP.	1000μF	16V	M
C1509	NCB21HK-823X	CHIP CAP.	0.082μF	50V	K
C1510-11	NCB21HK-103X	C CAP.	0.01μF	50V	K
C1512	QTMN1HM-105Z	E CAP.	0.1μF	50V	K
C1513	QETN1CM-228Z	E CAP.	2200μF	16V	M
C1514	NCB21HK-103X	C CAP.	0.01μF	50V	K
C1515	QFV71HJ-394Z	MF CAP.	0.39μF	50V	J
C1516	NCB21HK-103X	C CAP.	0.01μF	50V	K
C1551-52	NCB21EK-224X	CHIP CAP.	0.22μF	25V	K
C1553	QETN1EM-476Z	E CAP.	47μF	25V	M
C1554-55	NCB21EK-224X	CHIP CAP.	0.22μF	25V	K
C1571	NCB21HK-103X	C CAP.	0.01μF	50V	K
C1601-02	NCB21HK-103X	C CAP.	0.01μF	50V	K
C1603-04	NCF21CZ-105X	C CAP.	1μF	50V	Z
C1606	NRSA02J-0R0X	MG R	0.0Ω	1/10W	J
C1622-23	QETN1CM-227Z	E CAP.	220μF	16V	M
C1625	QETN1HM-105Z	E CAP.	1μF	50V	M
C1635	QETN1HM-105Z	E CAP.	1μF	50V	M
C1636	QETN1HM-107Z	E CAP.	100μF	50V	M
C1637	QETN1HM-106Z	E CAP.	10μF	50V	M
C1638-39	NCF21HZ-224X	C CAP.	0.22μF	50V	Z
C1653	NCF21HZ-224X	C CAP.	0.22μF	50V	Z
C1655	NCF21HZ-224X	C CAP.	0.22μF	50V	Z
C1656	QETN1HM-228	E CAP.	2200μF	50V	M
C1661-62	QETM1VM-108	E CAP.	1000μF	35V	M
C1668	NCB21EK-104X	C CAP.	0.1μF	25V	K
C1671	QETN1CM-107Z	E CAP.	100μF	16V	M
C1672	NCB21EK-104X	C CAP.	0.1μF	25V	K
C1701	NCF21CZ-105X	C CAP.	1μF	16V	Z
C1703	QETN1EM-476Z	E CAP.	47μF	25V	M
C1704	NCB21EK-104X	C CAP.	0.1μF	25V	K
C1705	QETN1AM-107Z	E CAP.	100μF	10V	M
C1706	NCB21EK-104X	C CAP.	0.1μF	25V	K
C1707	QETN1HM-474Z	E CAP.	0.47μF	50V	M
C1708	QETN1EM-476Z	E CAP.	47μF	25V	M
C1709-10	NDC21HJ-9R0X	C CAP.	9.0pF	50V	J
C1711	NCB21EK-104X	C CAP.	0.1μF	25V	K
C1712	NDC21HJ-151X	C CAP.	150pF	50V	J
C1713	QETN1HM-105Z	E CAP.	1μF	50V	M
C1714	NDC21HJ-561X	C CAP.	560pF	50V	J
C1716-17	QETN1HM-105Z	E CAP.	1μF	50V	M
C1718	NCB21HK-333X	C CAP.	0.033μF	50V	K
C1725	NCB21HK-102X	C CAP.	1000pF	50V	K
C1831	QENC1CM-476Z	BP E CAP.	47μF	16V	M
C1832	QETN1EM-476Z	E CAP.	47μF	25V	M
C1833	NDC21HJ-221X	C CAP.	220pF	50V	J
C1834	NCB21EK-104X	C CAP.	0.1μF	25V	K
C1835	NDC21HJ-220X	C CAP.	22pF	50V	J
C1836-38	NCB21EK-104X	C CAP.	0.1μF	25V	K
C1839	QETN1HM-106Z	E CAP.	10μF	50V	M
C1871	NCB21EK-104X	C CAP.	0.1μF	25V	K
C1872	NCB21HK-223X	C CAP.	0.022μF	50V	K
C1873	NDC21HJ-221X	C CAP.	220pF	50V	J
C1874-75	NDC21HJ-150X	C CAP.	15pF	50V	J
C1876	NCB21HK-102X	C CAP.	1000pF	50V	K
C1877	NCB21EK-104X	C CAP.	0.1μF	25V	K
C1878	NCB21HK-102X	C CAP.	1000pF	50V	K
C1879	NDC21HJ-221X	C CAP.	220pF	50V	J

AV32S2EKGR  
AV32S2EKBL

△ Symbol No.	Part No.	Part Name	Description
<b>CAPACITOR</b>			
C1880	QETN1AM-477Z	E CAP.	470μF 10V M
C1881	NCB21EK-104X	C CAP.	0.1μF 25V K
C1882	QETN1EM-476Z	E CAP.	47μF 25V M
C1883	NCB21HK-103X	C CAP.	0.01μF 50V K
C1884-85	NCB21EK-104X	C CAP.	0.1μF 25V K
C1886	NCB21HK-103X	C CAP.	0.01μF 50V K
C1887-89	QETN1HM-106Z	E CAP.	10μF 50V M
C1890	NCB21HK-103X	C CAP.	0.01μF 50V K
<b>COIL</b>			
L1001	QQL244K-5R6Z	COIL	5.6μH K
L1002	QQL244K-270Z	PEAKING COIL	
L1301-02	QQL244K-4R7Z	COIL	4.7μH K
L1305	QQL244K-4R7Z	COIL	4.7μH K
L1501	QQL244J-151Z	PEAKING COIL	
L1701	QQL244K-4R7Z	COIL	4.7μH K
L1702	QQL244K-3R9Z	COIL	3.9μH K
L1871	QQL244K-4R7Z	COIL	4.7μH K
<b>DIODE</b>			
D1301	MA3051/M/-X	ZENER DIODE	
D1302-04	MA111-X	SI DIODE	
D1503	RB100A-T2	SI DIODE	
D1602	MA111-X	SI DIODE	
D1608-10	MA111-X	SI DIODE	
D1612-13	MA111-X	SI DIODE	
D1617-18	MA3330/L/-X	ZENER DIODE	
D1624-25	MA111-X	SI DIODE	
D1701	MA3068/M/-X	ZENER DIODE	
D1702	MA111-X	SI DIODE	
D1704	MA111-X	SI DIODE	
D1705	MA3036-X	ZENER DIODE	
D1706-08	MA111-X	SI DIODE	
D1710	MA111-X	SI DIODE	
D1831	MA3051/M/-X	ZENER DIODE	
<b>TRANSISTOR</b>			
Q1301-02	2SA1037AK/QR/-X	SI TRANSISTOR	
Q1309	2SC2412K/QR/-X	SI TRANSISTOR	
Q1310	2SA1037AK/QR/-X	SI TRANSISTOR	
Q1311	DTC124EKA-X	DIGI TRANSISTOR	
Q1312	2SA1037AK/QR/-X	SI TRANSISTOR	
Q1401	DTC124EKA-X	DIGI TRANSISTOR	
Q1402	2SC2412K/QR/-X	SI TRANSISTOR	
Q1601	2SA1037AK/QR/-X	SI TRANSISTOR	
Q1602-03	DTC323TK-X	DIGI TRANSISTOR	
Q1604	2SA1037AK/QR/-X	SI TRANSISTOR	
Q1609	2SA1037AK/QR/-X	SI TRANSISTOR	
Q1610	DTC323TK-X	DIGI TRANSISTOR	
Q1612	DTC323TK-X	DIGI TRANSISTOR	
Q1613	2SA1037AK/QR/-X	SI TRANSISTOR	
Q1614	2SC2412K/QR/-X	SI TRANSISTOR	
Q1701-04	2SC2412K/QR/-X	SI TRANSISTOR	
Q1705-06	2SA1037AK/QR/-X	SI TRANSISTOR	
Q1707	2SC2412K/QR/-X	SI TRANSISTOR	
Q1708	2SA1037AK/QR/-X	SI TRANSISTOR	
Q1709-10	2SC2412K/QR/-X	SI TRANSISTOR	
Q1832-33	2SC2412K/QR/-X	SI TRANSISTOR	
Q1834	2SA1037AK/QR/-X	SI TRANSISTOR	
Q1835-37	2SC2412K/QR/-X	SI TRANSISTOR	
Q1871	2SA1037AK/QR/-X	SI TRANSISTOR	
Q1872	2SC2412K/QR/-X	SI TRANSISTOR	
<b>IC</b>			
IC1301	TB1227CN	I C	
IC1302	TC4053BP/W	I C. (DIGI-MOS)	
IC1501	AN5441SA-W	I C	
IC1551	LA6515	I C. (MONO-ANA)	
IC1601	TA8246AH	I C. (HYBRID)	
IC1607	BA05T	I C. (MONO-ANA)	
IC1701	M37280MK-106SP	I C. (MICRO-COMP)	
IC1702	AT24C16-32S2EK	I C.	(SERVICE)

△ Symbol No.	Part No.	Part Name	Description
<b>IC</b>			
IC1703	L78LR05E-MA	I C. (MONO-ANA)	
IC1704	JLC1562BF-X	I C. (DIGI-MOS)	
IC1831	JCC5035	I C. (DIGI-MOS)	
IC1832	MN1382/Q/-X	I C. (MONO-ANA)	
IC1871	ET417	I C. (M)	
IC1872	ET206	I C. (M)	
<b>OTHERS</b>			
CN1001	QGF1220C2-25	FFC/FPC CONNECTO	
J1001	QNO296-001	PIN JACK	
K1001	CE41433-001Z	BEADS CORE	
K1004	CE41433-001Z	BEADS CORE	
K1307	CE41433-001Z	BEADS CORE	
K1601-02	CE42681-001Y	BEADS CORE	
K1872	QQL244K-3R3Z	COIL	3.3μH K
LC1301	CE42142-222Z	EMI FILTER	
TU1001	QAU0189-002	TUNER	
X1301	QAX0305-001Z	CRYSTAL	
X1701	CST8_00MTW	CER. RESONATOR	
X1831	QAX0624-001Z	C RESONATOR	
X1871	CE41257-001Z	CRYSTAL	



**POWER & DEF. P.W. BOARD ASS'Y  
(SJK-2514A-U2)**

Symbol No.	Part No.	Part Name	Description
<b>RESISTOR</b>			
R2401	QRE141J-682Y	C R	6.8kΩ 1/4W J
△ R2402	QRA14CF-6801Y	MF R	6.8kΩ 1/4W F
△ R2403	QRA14CF-3091Y	MF R	3.09kΩ 1/4W F
R2404-05	QRA14CF-8200Y	MF R	820Ω 1/4W F
R2406	QRE141J-103Y	C R	10kΩ 1/4W J
R2409	QRE141J-103Y	C R	10kΩ 1/4W J
R2410	QRE141J-102Y	C R	1kΩ 1/4W J
R2414	QRE121J-5R6Y	C R	5.6Ω 1/2W J
R2415	QRX01GJ-1R8	MF R	1.8Ω 1W J
R2416	QRG01GJ-820	OM R	820Ω 1W J
R2417	QRE121J-1R0Y	C R	1.0Ω 1/2W J
R2461	QRE141J-331Y	C R	330Ω 1/4W J
R2463	QRE121J-392Y	C R	3.9kΩ 1/2W J
R2464	QRE121J-562Y	C R	5.6kΩ 1/2W J
R2465	QRE121J-272Y	C R	2.7kΩ 1/2W J
R2466	QRE121J-102Y	C R	1kΩ 1/2W J
R2467	QRL039J-120	OM R	120Ω 3W J
R2468	QRE121J-472Y	C R	4.7kΩ 1/2W J
R2492	QRE141J-683Y	C R	68kΩ 1/4W J
R2493	QRE141J-224Y	C R	220kΩ 1/4W J
R2495	QRE141J-103Y	C R	10kΩ 1/4W J
R2496	QRE141J-183Y	C R	18kΩ 1/4W J
R2497	QRE141J-153Y	C R	15kΩ 1/4W J
R2502	QRE141J-222Y	C R	2.2kΩ 1/4W J
R2503	QRE121J-152Y	C R	1.5kΩ 1/2W J
R2504	QRL039J-332	OM R	3.3kΩ 3W J
R2505	QRL039J-332	OM R	3.3kΩ 3W J
R2521	QRE121J-150Y	C R	15Ω 1/2W J
R2522	QRL039J-103	OM R	10kΩ 3W J
R2523	QRE121J-471Y	C R	470Ω 1/2W J
R2525	QRE141J-152Y	C R	1.5kΩ 1/4W J
R2541	QRE121J-103Y	C R	10kΩ 1/2W J
R2542	QRE121J-222Y	C R	2.2kΩ 1/2W J
R2543	QRE121J-124Y	C R	120kΩ 1/2W J
R2544	QRE121J-104Y	C R	100kΩ 1/2W J
R2545	QRE141J-123Y	C R	12kΩ 1/4W J
R2546	QRE121J-104Y	C R	100kΩ 1/2W J
R2547	QRE141J-123Y	C R	12kΩ 1/4W J
R2548	QRE121J-222Y	C R	2.2kΩ 1/2W J
R2551-52	QRT039J-1R2	MF R	1.2Ω 3W J
R2553	QRF104K-5R6	UNF R	5.6Ω 10W K
R2561	QRL029J-220	OM R	220Ω 2W J
R2562	QRE121J-123Y	C R	12kΩ 1/2W J
R2563	QRZ0056-103Z	COMP. R	10kΩ 1/2W K
R2591	QRE121J-123Y	C R	12kΩ 1/2W J
R2592	QRA14CF-1201Y	MF R	1.2kΩ 1/4W F
R2593	QRE141J-183Y	C R	18kΩ 1/4W J
R2594	QRE141J-222Y	C R	2.2kΩ 1/4W J
△ R2595	QRA14CF-1962Y	MF R	19.6kΩ 1/4W F
△ R2596	QRA14CF-2871Y	MF R	2.87kΩ 1/4W F
R2597	QRE141J-273Y	C R	27kΩ 1/4W J
△ R2902	QRE121J-331Y	C R	330Ω 1/2W J
R2903	QRF104K-3R9	UNF R	3.9Ω 10W K
R2904-05	QRE121J-474Y	C R	470kΩ 1/2W J
R2907-08	QRL039J-823	OM R	82kΩ 3W J
R2909	QRG039J-683	OM R	68kΩ 3W J
R2910	QRE121J-681Y	C R	680Ω 1/2W J
R2911	QRM059J-R15	MP R	0.15Ω 5W K
R2912	QRT029J-2R2	MF R	2.2Ω 2W J
△ R2913	QRT029J-1R8	MF R	1.8Ω 2W J
R2914	QRE121J-272Y	C R	2.7kΩ 1/2W J
R2918	QRE121J-332Y	C R	3.3kΩ 1/2W J
R2933	QRE141J-102Y	C R	1kΩ 1/4W J
R2935	QRE141J-473Y	C R	47kΩ 1/4W J
R2936	QRE141J-103Y	C R	10kΩ 1/4W J
R2938	QRE121J-102Y	C R	1kΩ 1/2W J
R2940	QRE121J-390Y	C R	39Ω 1/2W J
R2964	QRE121J-102Y	C R	1kΩ 1/2W J
R2967	QRL039J-223	OM R	22kΩ 3W J
R2976	QRL029J-100	OM R	10Ω 2W J
△ R2991	QRZ0057-825	C R	8.2MΩ 1W J

Symbol No.	Part No.	Part Name	Description
<b>CAPACITOR</b>			
C2401	QEHR1VM-227Z	E CAP.	220μF 35V M
C2402	QETM1VM-108	E CAP.	1000μF 35V M
C2403	QFLC2AJ-683Z	M CAP.	0.068μF 100V J
C2404	QETN1HM-105Z	E CAP.	1μF 50V M
C2405	QFLC1HJ-472Z	M CAP.	4700pF 50V J
C2406	QCZ0337-180Z	C CAP.	180pF 2kV J
C2407	QFLC1HJ-102Z	M CAP.	1000pF 50V J
C2408	QFV71HJ-334Z	MF CAP.	0.33μF 50V J
C2410	QFV71HJ-334Z	MF CAP.	0.33μF 50V J
C2411	QFLC2AJ-563Z	M CAP.	0.056μF 100V J
C2451	QFV71HJ-104Z	MF CAP.	0.1μF 50V J
C2461	QEZO195-475Z	E CAP.	4.7μF 50V M
C2462	QETN1HM-106Z	E CAP.	10μF 50V M
C2463	QFLC1HJ-153Z	M CAP.	0.015μF 50V J
C2464	QFLC1HJ-333Z	M CAP.	0.033μF 50V J
C2491	QETN1HM-105Z	E CAP.	1μF 50V M
C2492	QETN1HM-106Z	E CAP.	10μF 50V M
C2502	QCB32HK-681Z	C CAP.	680pF 500V K
C2503	QEHR2CM-105Z	E CAP.	1μF 160V M
△ C2521	QFZ0196-202	MPP CAP.	2000pF1.5kVH±3%
△ C2522	QFZ0200-113	MPP CAP.	0.011μF1.5kVH±3%
△ C2523	QFP32GJ-153	PP CAP.	0.015μF 400V J
C2524	QFM72DK-104	M CAP.	0.1μF 200V K
C2526	QFZ0197-304	MPP CAP.	0.3μF 250V J
C2527	QEHR2EM-475Z	E CAP.	4.7μF 250V M
C2529	QFM72DK-393	M CAP.	0.039μF 200V K
C2530	QCB32HK-561Z	C CAP.	560pF 500V K
C2531	QFLC1HJ-103Z	M CAP.	0.01μF 50V J
C2533	QCS32HJ-560Z	C CAP.	56pF 500V J
C2542-43	QFZ0197-104	MPP CAP.	0.1μF 250V J
C2551	QETN2EM-106Z	E CAP.	10μF 250V M
C2552	QCB32HK-152Z	C CAP.	1500pF 500V K
C2553	QEHR1EM-108Z	E CAP.	1000μF 25V M
C2554	QCB32HK-152Z	C CAP.	1500pF 500V K
C2555	QEHR1EM-108Z	E CAP.	1000μF 25V M
C2560	QETM2CM-227	E CAP.	220μF 160V M
C2561	QFLC1HJ-683Z	M CAP.	0.068μF 50V J
C2591	QETN1AM-107Z	E CAP.	100μF 10V M
C2592	QETN1EM-476Z	E CAP.	47μF 25V M
C2593	QETN2AM-106Z	E CAP.	10μF 100V M
C2594	QETN1AM-227Z	E CAP.	220μF 10V M
△ C2901	QFZ9040-473	MF CAP.	0.047μFAC275V M
△ C2904	QCZ9054-472	C CAP.	4700pFAC250V Z
△ C2905	QCZ9054-472	C CAP.	4700pFAC250V Z
△ C2906	QCZ9054-472	C CAP.	4700pFAC250V Z
C2907	QEZO199-227	E CAP.	220μF 400V M
C2908	QCB32HK-103	C CAP.	0.01μF 500V K
C2909	QCZ0122-391	C CAP.	390pF 2000V K
C2910	QCZ0122-102	C CAP.	1000pF 2000V K
C2912	QCB31HK-471Z	C CAP.	470pF 50V K
C2913	QETN1HM-476Z	E CAP.	47μF 50V M
C2916	QETN1HM-107Z	E CAP.	100μF 50V M
C2918	QCB31HK-681Z	C CAP.	680pF 50V K
C2933-34	QETN1HM-106Z	E CAP.	10μF 50V M
C2935	QETN1EM-227Z	E CAP.	220μF 25V M
C2951	QCZ0122-561	C CAP.	560pF 2000V K
C2952	QEZO203-227	E CAP.	220μF 160V M
C2953	QCB32HK-391Z	C CAP.	390pF 500V K
C2954	QTM1EM-228	E CAP.	2200μF 25V M
C2955	QCB32HK-391Z	C CAP.	390pF 500V K
C2956	QTM1CM-228	E CAP.	2200μF 16V M
C2958	QCB32HK-391Z	C CAP.	390pF 500V K
C2959	QETM1VM-228	E CAP.	2200μF 35V M
C2964	QFV71HJ-684Z	MF CAP.	0.68μF 50V J
C2968	QCZ0120-104Z	C CAP.	0.1μF 25V Z
C2969	QEHR1CM-477Z	E CAP.	470μF 16V M
C2970	QEHR1CM-107Z	E CAP.	100μF 16V M
C2971	QCZ0120-104Z	C CAP.	0.1μF 25V Z
C2972	QETN1CM-227Z	E CAP.	220μF 16V M
C2973	QETN1EM-476Z	E CAP.	47μF 25V M
C2974	QCZ0120-104Z	C CAP.	0.1μF 25V Z
C2975	QETN1AM-227Z	E CAP.	220μF 10V M

AV32S2EKGR  
AV32S2EKBL

△ Symbol No.	Part No.	Part Name	Description
<b>CAPACITOR</b>			
C2976	QETN1EM-476Z	E CAP.	47μF 25V M
C2979	QFV71HJ-104Z	MF CAP.	0.1μF 50V J
△ C2991	QCZ9079-33Z	C CAP.	3300pFAC250V M
△ C2992	QCZ9079-471	C CAP.	470pFAC250V K

<b>TRANSFORMER</b>			
T2501	CE42034-002	H.DRIVE TRANSF.	
T2551	QQH0094-002-I2	H.V.TRANSF.	(SERVICE)with ANODE WIRE
△ T2561	QQR0898-001	DEF.TRANSF.	
△ T2901	QOS0065-001	SW TRANSF.	
△ T2921	QQT0303-001	POWER TRANSF.	

<b>COIL</b>			
L2461	QQLZ027-821	CHOKE COIL	
L2521	QQLZ028-501	CHOKE COIL	
L2522	QQR1106-002	LINEARITY COIL	
L2561	QQLZ028-472	CHOKE COIL	
△ L2901-02	QQL402K-100	COIL	10μH K
L2903	QQR0659-004	CHOKE COIL	
L2951	QQLZ026-460	HEATER CHOKE	
L2952	QQL26AK-820Z	COIL	82μH K
L2953-54	QQL26AM-5R6Z	CHOKE COIL	

<b>DIODE</b>			
D2401	MTZJ75-T2	ZENER DIODE	
D2402	1N4003-T2	SI DIODE	
D2451	BYD33D-T3	SI DIODE	
D2491	BYD33D-T3	SI DIODE	
D2492	MTZJ22B-T2	ZENER DIODE	
D2493-94	1SS133-T2	SI DIODE	
D2521	RH3G-F1	SI DIODE	
D2522	BYW95B-20	SI DIODE	
D2523	BYD33G-T3	SI DIODE	
D2525	MTZJ9-1B-T2	ZENER DIODE	
D2551	BYD33G-T3	SI DIODE	
D2553-54	BYW95B-20	SI DIODE	
D2591	MTZJ15B-T2	ZENER DIODE	
D2592	MTZJ7-5B-T2	ZENER DIODE	
D2593	BYD33D-T3	SI DIODE	
D2594	MTZJ7-5S-T2	ZENER DIODE	
△ D2901	D3SBA60	DIODE BRIDGE	
D2902	BYD33M-T3	SI DIODE	
D2904-05	BYD33D-T3	SI DIODE	
D2909	1SS133-T2	SI DIODE	
D2911	MTZJ15B-T2	ZENER DIODE	
D2913	MTZJ27B-T2	ZENER DIODE	
D2931	1SS133-T2	SI DIODE	
D2934	MTZJ6-2B-T2	ZENER DIODE	
D2935-38	1N4003-T2	SI DIODE	
D2939	1SS133-T2	SI DIODE	
D2951	RU4B-F1	SI DIODE	
D2953-54	BYW95B-20	SI DIODE	
D2955	FMX-G125	SI DIODE	
D2958	1SR35-400A-T2	SI DIODE	
D2964	MTZJ33B-T2	ZENER DIODE	
D2981-83	1SS133-T2	SI DIODE	
D2985	MTZJ7-5C-T2	ZENER DIODE	

<b>TRANSISTOR</b>			
Q2402	2SC1740S/QR/-T	SI TRANSISTOR	
Q2461	2SD1408/OV/-LB	SI TRANSISTOR	
Q2462-63	2SA933AS/QR/-T	SI TRANSISTOR	
Q2501	BSN304-T	F.E.T.	
△ Q2521	2SD2553-LB	SI TRANSISTOR	H. OUT
Q2541-42	DTC124ESA-T	DIGI. TRANSISTOR	
Q2543	IRF620	F.E.T.	
Q2544-45	2SK2459N-F54	F.E.T.	
Q2546	DTC124ESA-T	DIGI. TRANSISTOR	
Q2591	2SA949/Y/Z1-T	SI TRANSISTOR	
Q2592	DTC124ESA-T	DIGI. TRANSISTOR	
Q2593	2SC1740S/QR/-T	SI TRANSISTOR	
Q2931-32	2SC1740S/QR/-T	SI TRANSISTOR	
Q2933	2SC2655/Y/-T	SI TRANSISTOR	

△ Symbol No.	Part No.	Part Name	Description
<b>IC</b>			
IC2401	LA7841	I.C. (MONO-ANA)	
△ IC2901	STR-F6667B/F7	I C	
IC2951	SE140N	I.C. (HYBRID)	
IC2952	BA12T	I.C. (MONO-ANA)	
IC2953	BA17809T	I.C. (MONO-ANA)	
IC2954	BA05T	I.C. (MONO-ANA)	

<b>OTHERS</b>			
△ CP2953	ICP-N75-Y	I.C. PROTECT	
△ CP2956	ICP-N10-Y	I.C. PROTECT	
△ CP2957	ICP-N5-Y	I.C. PROTECT	
K2401	CE41433-001Z	BEADS CORE	
K2503-04	QQR0582-001Z	BEADS CORE	
K2904	QQR0679-001	FERRITE BEADS	
K2951	QQR0872-001Y	FERRITE BEADS	
K2952-54	CE41433-001Z	BEADS CORE	
PC2541-42	PC123F2	I.C. (PH. COUPLER)	
△ PC2901	TLP721F (D4-GR)	I.C. (PH. COUPLER)	
△ R2494	QRZ9017-4R7	F R	4.7 Ω 1/4W J
△ R2524	QRZ9017-4R7	F R	4.7 Ω 1/4W J
△ R2554	QRZ9022-R68	F R	0.68 Ω 1W K
△ R2555	QRZ9011-4R7	F R	4.7 Ω 1/2W J
△ R2913	QRZ9017-100	F R	10 Ω 1/4W J
△ RY2931	QSK0099-001	RELAY	
△ TH2901	CEK002-003	W.P. THERMISTOR	

■ CRT SOCKET P.W. BOARD ASS'Y  
(SJK-3514A-U2)

△ Symbol No.	Part No.	Part Name	Description
<b>RESISTOR</b>			
R3101-03	NRSA02J-101X	MG R	100Ω 1/10W J
R3107-09	NRSA02J-392X	MG R	3.9kΩ 1/10W J
R3110-12	NRSA02J-221X	MG R	220Ω 1/10W J
R3113-15	NRSA02J-330X	MG R	33Ω 1/10W J
R3116-18	QRL029J-153	OM R	15kΩ 2W J
R3119-21	QRL029J-183	OM R	18kΩ 2W J
R3125-27	QRZ0107-102Z	C R	1kΩ 1/2W K
R3130	QRG01GJ-101	OM R	100Ω 1W J
R3135	QRZ0107-474Z	C R	470kΩ 1/2W K
R3136	QRE121J-474Y	C R	470kΩ 1/2W J
R3137	QRZ0107-102Z	C R	1kΩ 1/2W K
R3138	QRE121J-105Y	C R	1MΩ 1/2W J
R3151	NRSA02J-102X	MG R	1kΩ 1/10W J
R3152	NRSA02J-472X	MG R	4.7kΩ 1/10W J
R3154	NRSA02J-0R0X	MG R	0.0Ω 1/10W J
R3303	NRSA02J-101X	MG R	100Ω 1/10W J
R3312	NRSA02J-153X	MG R	15kΩ 1/10W J
R3313	NRSA02J-152X	MG R	1.5kΩ 1/10W J
R3314	NRSA02J-221X	MG R	220Ω 1/10W J
R3315	NRSA02J-101X	MG R	100Ω 1/10W J
R3316	NRSA02J-222X	MG R	2.2kΩ 1/10W J
R3317	NRSA02J-470X	MG R	47Ω 1/10W J
△ R3318	QRJ146J-100X	C R	10Ω 1/4W J
R3319	NRSA02J-470X	MG R	47Ω 1/10W J
R3320	NRSA02J-122X	MG R	1.2kΩ 1/10W J
R3321	NRSA02J-390X	MG R	39Ω 1/10W J
R3322	QRE121J-2R7Y	C R	2.7Ω 1/2W J
R3323-24	QRE121J-563Y	C R	56kΩ 1/2W J
R3325	NRSA02J-122X	MG R	1.2kΩ 1/10W J
R3326	QRE121J-2R7Y	C R	2.7Ω 1/2W J
R3327	NRSA02J-390X	MG R	39Ω 1/10W J
R3328	NRSA02J-121X	MG R	120Ω 1/10W J
R3329	QRL029J-391	OM R	390Ω 2W J

<b>CAPACITOR</b>			
C3101-03	NDC21HJ-471X	C CAP.	470pF 50V J

Symbol No.	Part No.	Part Name	Description
<b>CAPACITOR</b>			
C3104	QETN1CM-107Z	E CAP.	100μF 16V M
C3105	QETN1EM-476Z	E CAP.	47μF 25V M
C3107	QETN1HM-106Z	E CAP.	10μF 50V M
C3113	QCZ0131-22Z	C CAP.	2200pF 2000V K
C3114	QETM2EM-336	E CAP.	33μF 250V M
C3115	QETM2EM-106	E CAP.	10μF 250V M
C3116	NDC21HJ-471X	C CAP.	470pF 50V J
C3304	NCB21HK-103X	C CAP.	0.01μF 50V K
C3305	QETN1HM-335Z	E CAP.	3.3μF 50V M
C3306	QETN1CM-107Z	E CAP.	100μF 16V M
C3307	NDC21HJ-5R0X	C CAP.	5.0pF 50V J
C3308	QETN2CM-106Z	E CAP.	10μF 160V M
C3309	QCB32HK-472Z	C CAP.	4700pF 500V K
C3310	QETN2CM-106Z	E CAP.	10μF 160V M
C3311	NCB21HK-222X	C CAP.	2200pF 50V K
C3312	QCB32HK-472Z	C CAP.	4700pF 500V K
C3314	QETN1CM-107Z	E CAP.	100μF 16V M
C3315	QCS32HJ-680Z	C CAP.	68pF 500V J
C3316	QETN1CM-107Z	E CAP.	100μF 16V M
C3317	QETN1AM-337Z	E CAP.	330μF 10V M
C3320	NCB21HK-152X	C CAP.	1500pF 50V K

**COIL**

L3301	QQL244J-391Z	CHIP C CAPACITOR
-------	--------------	------------------

**DIODE**

D3151	MA111-X	SI. DIODE
D3152	MA3082/L/-X	ZENER DIODE
D3153-55	MA111-X	SI. DIODE
D3156	MA3047/H/-X	ZENER DIODE
D3163	MA3150/M/-X	ZENER DIODE
D3164	15R35-400A-T2	SI. DIODE
D3302-03	RH15-T3	SI. DIODE

**TRANSISTOR**

Q3101-03	25C1740S/QR/-T	SI. TRANSISTOR
Q3104-06	25C4544-LB	SI. TRANSISTOR
Q3151	25A1037AK/QR/-X	SI. TRANSISTOR
Q3152	25C4682-T	SI. TRANSISTOR
Q3304-05	25C1740S/QR/-T	SI. TRANSISTOR
Q3306	25A933AS/QR/-T	SI. TRANSISTOR
Q3307	25A1837	SI. TRANSISTOR
Q3308	25C4793	SI. TRANSISTOR

**OTHERS**

FR3330	QRZ9021-561	F R	560 Ω 1W J
K3101	CE41433-001Z	BEADS CORE	
K3301-04	CE41492-001Z	CHOKE COIL	
SK3001	CE42670-001	C. R. T. SOCKET	

**FRONT CONTROL P.W. BOARD ASS'Y  
(SJK-8514A-U2)**

Symbol No.	Part No.	Part Name	Description
<b>RESISTOR</b>			
R8003	NRSA02J-332X	MG R	3.3kΩ 1/10W J
R8004	NRSA02J-472X	MG R	4.7kΩ 1/10W J
R8005	NRSA02J-561X	MG R	560Ω 1/10W J
R8008	NRSA02J-682X	MG R	6.8kΩ 1/10W J
R8020	NRSA02J-562X	MG R	5.6kΩ 1/10W J
R8039	NRSA02J-561X	MG R	560Ω 1/10W J
<b>CAPACITOR</b>			
C8003	QETN1HM-106Z	E CAP.	10μF 50V M
C8004	NCB21HK-104X	CHIP CAP.	0.1μF 50V K
C8022	QETN1CM-107Z	E CAP.	100μF 16V M
C8901	QFZ9040-474	MF CAP.	0.47μFAC275V M

Symbol No.	Part No.	Part Name	Description
<b>DIODE</b>			
D8007	P1241-04	C. D. S.	
D8008	MA111-X	SI. DIODE	
D8010	SPR-39MWWF	L. E. D.	
D8011	MA111-X	SI. DIODE	
D8014	MA3068/M/-X	ZENER DIODE	

**TRANSISTOR**

Q8001	25A1037AK/QR/-X	SI. TRANSISTOR
Q8003-04	DTA124EKA-X	DIGI. TRANSISTOR

**IC**

IC8001	GP1U281Q	IFR DETECT UNIT
--------	----------	-----------------

**OTHERS**

CN8001	CM35921-005-H	CDS HOLDER	
F8901	LC30349-001A-H	L. E. D. HOLDER	
LF8901	CEM002-001Z	FUSE CLIP	
LF8902	QGF1220C2-25	FFC/FPC CONNECTO	
S8901	QMF51D2-3R15J1	FUSE	3.15A
	QQR1095-001	LINE FILTER	
	QQR1095-001	LINE FILTER	
	QSW0824-001	PUSH SWITCH	MAIN POWER

**SIDE CONTROL P.W. BOARD ASS'Y  
(SJK-8551A-U2)**

Symbol No.	Part No.	Part Name	Description
<b>RESISTOR</b>			
R8001-02	QRE121J-271Y	C R	270Ω 1/2W J
R8010-12	NRSA02J-103X	MG R	10kΩ 1/10W J
R8021-22	NRSA02J-102X	MG R	1kΩ 1/10W J
R8317	NRSA02J-750X	MG R	75Ω 1/10W J

**CAPACITOR**

C8001-02	NCB21HK-103X	C CAP.	0.01μF 50V K
C8003-04	NDC21HJ-102X	C CAP.	1000pF 50V J
C8310-11	NCB21HK-472X	C CAP.	4700pF 50V K
C8321	NCB21HK-104X	CHIP CAP.	0.1μF 50V K

**COIL**

L8001	QQR0716-001Z	LEAD CORE	
L8002-03	QQL244K-5R6Z	COIL	5.6μH K
L8310-11	QQL244K-270Z	PEAKING COIL	
L8312	QQR0716-001Z	LEAD CORE	

**OTHERS**

J8001	QNS0169-001	PIN JACK	
J8303	QNZ0438-001	JACK	
S8001	QSW0619-003Z	PUSH SWITCH	CH UPR
S8002	QSW0619-003Z	PUSH SWITCH	VR
S8003	QSW0619-003Z	PUSH SWITCH	CH DOWN

■ AV SEL. P.W. BOARD ASS'Y (SJK0S914A-U2)

△ Symbol No.	Part No.	Part Name	Description
<b>RESISTOR</b>			
R0101-08	NRSA02J-750X	MG R	75Ω 1/10W J
R0110	NRSA02J-823X	MG R	82kΩ 1/10W J
R0112	NRSA02J-823X	MG R	82kΩ 1/10W J
R0113	NRSA02J-750X	MG R	75Ω 1/10W J
R0114	NRSA02J-473X	MG R	47kΩ 1/10W J
R0115-16	NRSA02J-223X	MG R	22kΩ 1/10W J
R0117-18	NRSA02J-823X	MG R	82kΩ 1/10W J
R0119-20	NRSA02J-391X	MG R	390Ω 1/10W J
R0123	NRSA02J-104X	MG R	100kΩ 1/10W J
R0124-25	NRSA02J-101X	MG R	100Ω 1/10W J
R0126	NRSA02J-333X	MG R	33kΩ 1/10W J
R0127	NRSA02J-101X	MG R	100Ω 1/10W J
R0128	NRSA02J-103X	MG R	10kΩ 1/10W J
R0129	NRSA02J-823X	MG R	82kΩ 1/10W J
R0130	NRSA02J-473X	MG R	47kΩ 1/10W J
R0131	NRSA02J-273X	MG R	27kΩ 1/10W J
R0132	NRSA02J-153X	MG R	15kΩ 1/10W J
R0133	NRSA02J-222X	MG R	2.2kΩ 1/10W J
R0134	NRSA02J-333X	MG R	33kΩ 1/10W J
R0135	NRSA02J-222X	MG R	2.2kΩ 1/10W J
R0136-37	NRSA02J-333X	MG R	33kΩ 1/10W J
R0138	NRSA02J-473X	MG R	47kΩ 1/10W J
R0139	NRSA02J-823X	MG R	82kΩ 1/10W J
R0140	NRSA02J-103X	MG R	10kΩ 1/10W J
R0141	NRSA02J-153X	MG R	15kΩ 1/10W J
R0142	NRSA02J-223X	MG R	22kΩ 1/10W J
R0143	NRSA02J-473X	MG R	47kΩ 1/10W J
R0144	NRSA02J-273X	MG R	27kΩ 1/10W J
R0146	NRSA02J-391X	MG R	390Ω 1/10W J
R0148	NRSA02J-391X	MG R	390Ω 1/10W J
R0151	NRSA02J-104X	MG R	100kΩ 1/10W J
R0152	NRSA02J-222X	MG R	2.2kΩ 1/10W J
R0153	NRSA02J-333X	MG R	33kΩ 1/10W J
R0154	NRSA02J-222X	MG R	2.2kΩ 1/10W J
R0155	NRSA02J-333X	MG R	33kΩ 1/10W J
R0156-69	NRSA02J-101X	MG R	100Ω 1/10W J
R0170	NRSA02J-333X	MG R	33kΩ 1/10W J
R0171	NRSA02J-222X	MG R	2.2kΩ 1/10W J
R0172	NRSA02J-473X	MG R	47kΩ 1/10W J
R0173	NRSA02J-823X	MG R	82kΩ 1/10W J
R0174	NRSA02J-103X	MG R	10kΩ 1/10W J
R0175	NRSA02J-153X	MG R	15kΩ 1/10W J
R0176	NRSA02J-473X	MG R	47kΩ 1/10W J
R0177	NRSA02J-273X	MG R	27kΩ 1/10W J
R0180-83	NRSA02J-101X	MG R	100Ω 1/10W J
R0184	NRSA02J-333X	MG R	33kΩ 1/10W J
R0185	NRSA02J-222X	MG R	2.2kΩ 1/10W J
R0186	NRSA02J-333X	MG R	33kΩ 1/10W J
R0188	NRSA02J-101X	MG R	100Ω 1/10W J
R0189-90	NRSA02J-221X	MG R	220Ω 1/10W J
R0191-92	NRSA02J-562X	MG R	5.6kΩ 1/10W J
R0193-94	NRSA02J-102X	MG R	1kΩ 1/10W J
R0195	QRG01GJ-101	OM R	100Ω 1W
R0197	QRK126J-181X	C R	180Ω 1/2W J
R0198	NRSA02J-750X	MG R	75Ω 1/10W J
R0199	NRSA02J-101X	MG R	100Ω 1/10W J
R0202	QRK126J-151X	C R	150Ω 1/2W J
R0203-05	NRSA02J-750X	MG R	75Ω 1/10W J
R0207	NRSA02J-222X	MG R	2.2kΩ 1/10W J
R0208	NRSA02J-333X	MG R	33kΩ 1/10W J
R0209	NRSA02J-222X	MG R	2.2kΩ 1/10W J
R0210	NRSA02J-333X	MG R	33kΩ 1/10W J
R0211-12	NRSA02J-103X	MG R	10kΩ 1/10W J
R0301	NRSA02J-103X	MG R	10kΩ 1/10W J
R0302	NRSA02J-562X	MG R	5.6kΩ 1/10W J
R0303-04	NRSA02J-222X	MG R	2.2kΩ 1/10W J
R0305	NRSA02J-103X	MG R	10kΩ 1/10W J
R0309	NRSA02J-562X	MG R	5.6kΩ 1/10W J
R0310	NRSA02J-392X	MG R	3.9kΩ 1/10W J
R0313	NRSA02J-101X	MG R	100Ω 1/10W J
R0314	NRSA02J-473X	MG R	47kΩ 1/10W J
R0315	NRSA02J-102X	MG R	1kΩ 1/10W J

△ Symbol No.	Part No.	Part Name	Description
<b>RESISTOR</b>			
R0316	NRSA02J-122X	MG R	1.2kΩ 1/10W J
R0317	NRSA02J-273X	MG R	27kΩ 1/10W J
R0318-19	NRSA02J-102X	MG R	1kΩ 1/10W J
R0320	NRSA02J-473X	MG R	47kΩ 1/10W J
R0321	NRSA02J-101X	MG R	100Ω 1/10W J
R0322	NRSA02J-273X	MG R	27kΩ 1/10W J
R0323	NRSA02J-122X	MG R	1.2kΩ 1/10W J
R0324	NRSA02J-102X	MG R	1kΩ 1/10W J
R0325	NRSA02J-682X	MG R	6.8kΩ 1/10W J
R0603	NRSA02J-102X	MG R	1kΩ 1/10W J
R0606	QRG01GJ-181	OM R	180Ω 1W J
R0607	NRSA02J-123X	MG R	12kΩ 1/10W J
R0608	NRSA02J-181X	MG R	180Ω 1/10W J
R0609	NRSA02J-123X	MG R	12kΩ 1/10W J
R0610	NRSA02J-561X	MG R	560Ω 1/10W J
R0614	NRSA02J-223X	MG R	22kΩ 1/10W J
R0615	NRSA02J-273X	MG R	27kΩ 1/10W J
R0617	NRSA02J-103X	MG R	10kΩ 1/10W J
R0619-20	NRSA02J-103X	MG R	10kΩ 1/10W J
R0622	NRSA02J-223X	MG R	22kΩ 1/10W J
R0623	NRSA02J-273X	MG R	27kΩ 1/10W J
R0628	NRSA02J-OR0X	MG R	0.0Ω 1/10W J
R0629-30	NRSA02J-101X	MG R	100Ω 1/10W J
R0631	NRSA02J-122X	MG R	1.2kΩ 1/10W J
R0632	NRSA02J-223X	MG R	22kΩ 1/10W J
R0633	NRSA02J-272X	MG R	2.7kΩ 1/10W J
R0634	NRSA02J-223X	MG R	22kΩ 1/10W J
R0635	NRSA02J-272X	MG R	2.7kΩ 1/10W J
R0636	NRSA02J-682X	MG R	6.8kΩ 1/10W J
R0638	NRSA02J-682X	MG R	6.8kΩ 1/10W J
R0647-48	NRSA02J-101X	MG R	100Ω 1/10W J
<b>CAPACITOR</b>			
C0101	NDC21HJ-151X	C CAP.	150pF 50V J
C0102	QETN1CM-477Z	E CAP.	470μF 16V M
C0103-05	QETN1HM-106Z	E CAP.	10μF 50V M
C0106	NCB21HK-472X	C CAP.	4700pF 50V K
C0107	NCB21HK-152X	C CAP.	1500pF 50V K
C0108	NCB21HK-472X	C CAP.	4700pF 50V K
C0109	NCB21HK-152X	C CAP.	1500pF 50V K
C0110	QETN1CM-477Z	E CAP.	470μF 16V M
C0111-12	NCB21HK-472X	C CAP.	4700pF 50V K
C0113	NDC21HJ-151X	C CAP.	150pF 50V J
C0114-15	NCB21HK-472X	C CAP.	4700pF 50V K
C0116-17	QETN1HM-106Z	E CAP.	10μF 50V M
C0118	NCB21HK-102X	C CAP.	1000pF 50V K
C0119	QETN1HM-105Z	E CAP.	1μF 50V M
C0120	QETN1HM-106Z	E CAP.	10μF 50V M
C0121	QETN1HM-105Z	E CAP.	1μF 50V M
C0122	NCB21HK-103X	C CAP.	0.01μF 50V K
C0123	NCB21HK-102X	C CAP.	1000pF 50V K
C0124-25	QETN1HM-106Z	E CAP.	10μF 50V M
C0126	QETN1HM-105Z	E CAP.	1μF 50V M
C0127	QETN1HM-106Z	E CAP.	10μF 50V M
C0128	QETN1HM-105Z	E CAP.	1μF 50V M
C0129	QETN1HM-106Z	E CAP.	10μF 50V M
C0130	QETN1HM-105Z	E CAP.	1μF 50V M
C0131	NCB21HK-102X	C CAP.	1000pF 50V K
C0132	QETN1HM-105Z	E CAP.	1μF 50V M
C0133	NCB21HK-103X	C CAP.	0.01μF 50V K
C0136	QETN1HM-106Z	E CAP.	10μF 50V M
C0137	QENC1EM-106Z	BP E CAP.	10μF 25V M
C0139	QENC1EM-106Z	BP E CAP.	10μF 25V M
C0140	QETN1CM-107Z	E CAP.	100μF 16V M
C0141	NCB21HK-103X	C CAP.	0.01μF 50V K
C0142	NCF21CZ-105X	C CAP.	1μF 16V Z
C0143	QENC1EM-106Z	BP E CAP.	10μF 25V M
C0144	NCF21CZ-105X	C CAP.	1μF 16V Z
C0145-46	QETN1CM-107Z	E CAP.	100μF 16V M
C0147	QETN1CM-477Z	E CAP.	470μF 16V M
C0149	NCB21HK-103X	C CAP.	0.01μF 50V K
C0150-51	QETN1HM-106Z	E CAP.	10μF 50V M

Symbol No.	Part No.	Part Name	Description
<b>CAPACITOR</b>			
C0152-53	QETN1HM-105Z	E CAP.	1μF 50V M
C0154-55	NDC21HJ-680X	C CAP.	680pF 50V J
C0156	NCB21HK-103X	C CAP.	0.01μF 50V K
C0157-58	NDC21HJ-680X	C CAP.	680pF 50V J
C0159	NDC21HJ-561X	C CAP.	560pF 50V J
C0160	NDC21HJ-102X	C CAP.	1000pF 50V J
C0301	NDC21HJ-271X	C CAP.	270pF 50V J
C0306-07	NCB21EK-104X	C CAP.	0.1μF 25V K
C0308	NCB21HK-103X	C CAP.	0.01μF 50V K
C0310-11	QETN1HM-106Z	E CAP.	10μF 50V M
C0312	NCB21HK-103X	C CAP.	0.01μF 50V K
C0313	NCB21EK-104X	C CAP.	0.1μF 25V K
C0610	NDC21HJ-821X	C CAP.	820pF 50V J
C0611-12	NDC21HJ-470X	C CAP.	47pF 50V J
C0614	NDC21HJ-180X	C CAP.	18pF 50V J
C0616	QETN1CM-107Z	E CAP.	100μF 16V M
C0617	NCB21EK-104X	C CAP.	0.1μF 25V K
C0618	QETN1HM-106Z	E CAP.	10μF 50V M
C0619	NCB21EK-104X	C CAP.	0.1μF 25V K
C0620	QETN1HM-106Z	E CAP.	10μF 50V M
C0621-22	NCF21CZ-105X	C CAP.	1μF 16V Z
C0623	NCB21EK-104X	C CAP.	0.1μF 25V K
C0624	QETN1HM-106Z	E CAP.	10μF 50V M
C0625	NCB21HK-332X	C CAP.	3300pF 50V K
C0626	NCB21HK-333X	C CAP.	0.033μF 50V K
C0627	NCF21CZ-105X	C CAP.	1μF 16V Z
C0628	QETN1EM-476Z	E CAP.	47μF 25V M
C0629	QETN1HM-106Z	E CAP.	10μF 50V M
C0630-31	NCB21HK-102X	C CAP.	1000pF 50V K
C0632	NCB21EK-104X	C CAP.	0.1μF 25V K
C0633	QETN1HM-106Z	E CAP.	10μF 50V M
C0634-35	NCB21HK-103X	C CAP.	0.01μF 50V K
C0636	NDC21HJ-2R0X	C CAP.	2.0pF 50V J
C0637	NCB21HK-332X	C CAP.	3300pF 50V K
C0638	NCB21HK-333X	C CAP.	0.033μF 50V K
C0639	QETN1HM-106Z	E CAP.	10μF 50V M
C0640	QETN1EM-476Z	E CAP.	47μF 25V M
C0641	NCB21EK-104X	C CAP.	0.1μF 25V K
C0642	NDC21HJ-2R0X	C CAP.	2.0pF 50V J
C0643	NCF21CZ-105X	C CAP.	1μF 16V Z
C0645	NCB21HK-103X	C CAP.	0.01μF 50V K
C0646	NCB21EK-104X	C CAP.	0.1μF 25V K
C0647	QETN1CM-107Z	E CAP.	100μF 16V M
C0648	NCB21EK-104X	C CAP.	0.1μF 25V K
C0649	QETN1CM-107Z	E CAP.	100μF 16V M
C0650	NDC21HJ-221X	C CAP.	220pF 50V J
C0651	NCB21HK-562X	C CAP.	5600pF 50V K
C0652	QETN1EM-476Z	E CAP.	47μF 25V M
C0653	NDC21HJ-221X	C CAP.	220pF 50V J
C0654	NCB21HK-562X	C CAP.	5600pF 50V K
C0659-60	NCF21CZ-105X	C CAP.	1μF 16V Z
C0677-78	NCB21HK-102X	C CAP.	1000pF 50V K

**COIL**

L0114	QQR0716-001Z	LEAD CORE	
L0301	QQL244J-221Z	PEAKING COIL	
L0601	QQL244K-220Z	PEAKING COIL	
L0602	QQL244K-180Z	COIL	18μH K
L0604	QQL244K-100Z	COIL	10μH K
L0605	QQL244K-4R7Z	COIL	4.7μH K

**DIODE**

D0101-13	MA3120/M/-X	ZENER DIODE	
D0601	RD8.2E/B2/-T2	ZENER DIODE	
D0602	MA3062/M/-X	ZENER DIODE	

Symbol No.	Part No.	Part Name	Description
<b>TRANSISTOR</b>			
Q0101	DTC323TK-X	DIGI. TRANSISTOR	
Q0102	2SA1037AK/QR/-X	SI. TRANSISTOR	
Q0103	DTC323TK-X	DIGI. TRANSISTOR	
Q0104-07	2SC2412K/QR/-X	SI. TRANSISTOR	
Q0108	2SA1037AK/QR/-X	SI. TRANSISTOR	
Q0109-10	DTC323TK-X	DIGI. TRANSISTOR	
Q0111-12	2SC2412K/QR/-X	SI. TRANSISTOR	
Q0116	2SA933AS/QR/-T	SI. TRANSISTOR	
Q0118	2SC1740S/QR/-T	SI. TRANSISTOR	
Q0119-20	2SC2412K/QR/-X	SI. TRANSISTOR	
Q0301	2SA1037AK/QR/-X	SI. TRANSISTOR	
Q0302-03	DTC124EKA-X	DIGI. TRANSISTOR	
Q0304-05	2SA1037AK/QR/-X	SI. TRANSISTOR	
Q0306	2SC2412K/QR/-X	SI. TRANSISTOR	
Q0307	2SA1037AK/QR/-X	SI. TRANSISTOR	
Q0308	2SC2412K/QR/-X	SI. TRANSISTOR	
Q0601	2SC2412K/QR/-X	SI. TRANSISTOR	

**IC**

IC0101	CXA2089Q-X	I C
IC0302	TDA9181T/N1-X	I. C. (MONO-ANA)
IC0602	NJM2150AM-X	I. C. (MONO-ANA)
IC0603	MSP3415DQGB3GHX	I. C. (MONO-ANA)
IC0604	BA4558F-X	I. C. (MONO-ANA)

**OTHERS**

J0001	QNZ0465-001	PIN CONNECTOR
J0002	QNZ0463-001	PIN CONNECTOR
K0101-04	CE42681-001Y	BEADS CORE
K0301	CE41433-001Z	BEADS CORE
K0601	CE41433-001Z	BEADS CORE
LC0601-02	CE42482-103Y	EMI FILTER
X0601	CE42546-001Z	CRYSTAL

## AV32S2EIGR

## PRINTED WIRING BOARD PARTS LIST

## ■ MAIN P.W. BOARD ASS'Y (SJK-1714A-U2)

△ Symbol No.	Part No.	Part Name	Description
--------------	----------	-----------	-------------

## RESISTOR

R1001	NRSA02J-102X	MG R	1kΩ 1/10W J
R1002-03	NRSA02J-0R0X	MG R	0.0Ω 1/10W J
R1004	NRSA02J-102X	MG R	1kΩ 1/10W J
R1005	NRSA02J-102X	MG R	1kΩ 1/10W J
R1006	NRSA02J-102X	MG R	1kΩ 1/10W J
R1007	NRSA02J-104X	MG R	100kΩ 1/10W J
R1008	NRSA02J-0R0X	MG R	0.0Ω 1/10W J
R1009-10	NRSA02J-104X	MG R	100kΩ 1/10W J
R1301	NRSA02J-103X	MG R	10kΩ 1/10W J
R1302	NRSA02J-183X	MG R	18kΩ 1/10W J
R1303	NRSA02J-153X	MG R	15kΩ 1/10W J
R1304	QRG01GJ-121	OM R	120Ω 1W J
R1305	NRSA02J-562X	MG R	5.6kΩ 1/10W J
R1306	NRSA02J-222X	MG R	2.2kΩ 1/10W J
R1307	NRSA02J-102X	MG R	1kΩ 1/10W J
R1308	NRSA02J-471X	MG R	470Ω 1/10W J
R1309	NRSA02J-222X	MG R	2.2kΩ 1/10W J
R1310-11	NRSA02J-391X	MG R	390Ω 1/10W J
R1312-13	NRSA02J-101X	MG R	100Ω 1/10W J
R1314	NRSA02J-562X	MG R	5.6kΩ 1/10W J
R1316	NRSA02J-224X	MG R	220kΩ 1/10W J
R1317	NRSA02J-101X	MG R	100Ω 1/10W J
R1318	NRSA02J-102X	MG R	1kΩ 1/10W J
R1319	NRSA02J-102X	MG R	1kΩ 1/10W J
R1320	NRSA02J-102X	MG R	1kΩ 1/10W J
R1321	NRSA02J-102X	MG R	1kΩ 1/10W J
R1327	NRSA02J-471X	MG R	470Ω 1/10W J
R1328	NRSA02J-102X	MG R	1kΩ 1/10W J
R1329	NRSA02J-102X	MG R	1kΩ 1/10W J
R1330	NRSA02J-472X	MG R	4.7kΩ 1/10W J
R1331	NRSA02J-333X	MG R	33kΩ 1/10W J
R1332-33	NRSA02J-222X	MG R	2.2kΩ 1/10W J
R1335	NRSA02J-273X	MG R	27kΩ 1/10W J
R1336	NRSA02J-103X	MG R	10kΩ 1/10W J
R1337	NRSA02J-102X	MG R	1kΩ 1/10W J
R1338	NRSA02J-562X	MG R	5.6kΩ 1/10W J
R1339	NRSA02J-102X	MG R	1kΩ 1/10W J
R1340-41	NRSA02J-333X	MG R	33kΩ 1/10W J
R1342	NRSA02J-152X	MG R	1.5kΩ 1/10W J
R1343	NRSA02J-272X	MG R	2.7kΩ 1/10W J
R1344	NRSA02J-471X	MG R	470Ω 1/10W J
R1345	NRSA02J-102X	MG R	1kΩ 1/10W J
R1346	NRSA02J-223X	MG R	22kΩ 1/10W J
R1401-02	NRSA02J-103X	MG R	10kΩ 1/10W J
R1403	NRSA02J-102X	MG R	1kΩ 1/10W J
R1404	NRSA02J-183X	MG R	18kΩ 1/10W J
R1405	NRSA02J-223X	MG R	22kΩ 1/10W J
R1409	NRSA02J-0R0X	MG R	0.0Ω 1/10W J
R1411	NRVA02D-473X	MF R	47kΩ 1/10W D
R1413	NRVA02D-223X	MF R	22kΩ 1/10W D
R1414	NRVA02D-101X	MF R	100Ω 1/10W D
R1415	NRSA02J-562X	MG R	5.6kΩ 1/10W J
R1416	NRSA02J-101X	MG R	100Ω 1/10W J
R1417	NRSA02J-223X	MG R	22kΩ 1/10W J
R1418	NRSA02J-682X	MG R	6.8kΩ 1/10W J
R1419	NRSA02J-562X	MG R	5.6kΩ 1/10W J
R1420	NRSA02J-123X	MG R	12kΩ 1/10W J
R1501	NRSA02J-621X	MG R	620Ω 1/10W J
R1502	NRSA02J-103X	MG R	10kΩ 1/10W J
R1503	NRSA02J-104X	MG R	100kΩ 1/10W J
R1504	NRSA02J-822X	MG R	8.2kΩ 1/10W J
R1505-06	NRSA02J-221X	MG R	220Ω 1/10W J
R1507	NRSA02J-102X	MG R	1kΩ 1/10W J
R1508	NRSA02J-223X	MG R	22kΩ 1/10W J
R1509	NRSA02J-223X	MG R	22kΩ 1/10W J
R1511	NRSA02J-0R0X	MG R	0.0Ω 1/10W J

△ Symbol No.	Part No.	Part Name	Description
--------------	----------	-----------	-------------

## RESISTOR

R1514	NRSA02J-472X	MG R	4.7kΩ 1/10W J
R1516	NRSA02J-222X	MG R	2.2kΩ 1/10W J
R1517	NRSA02J-472X	MG R	4.7kΩ 1/10W J
R1518	NRSA02J-682X	MG R	6.8kΩ 1/10W J
R1519	NRSA02J-562X	MG R	5.6kΩ 1/10W J
R1520	NRSA02J-152X	MG R	1.5kΩ 1/10W J
R1551	QRK126J-100X	C R	10Ω 1/2W J
R1552	NRSA02J-124X	MG R	120kΩ 1/10W J
R1553	NRSA02J-683X	MG R	68kΩ 1/10W J
R1554	NRSA02J-333X	MG R	33kΩ 1/10W J
R1555	NRSA02J-472X	MG R	4.7kΩ 1/10W J
R1556	NRSA02J-154X	MG R	150kΩ 1/10W J
R1557-58	NRSA02J-562X	MG R	5.6kΩ 1/10W J
R1559	NRSA02J-0R0X	MG R	0.0Ω 1/10W J
R1560	NRSA02J-104X	MG R	100kΩ 1/10W J
R1561	QRK126J-100X	C R	10Ω 1/2W J
R1571	NRSA02J-101X	MG R	100Ω 1/10W J
R1572	NRSA02J-133X	MG R	13kΩ 1/10W J
R1573	NRSA02J-821X	MG R	820Ω 1/10W J
R1602	NRSA02J-104X	MG R	100kΩ 1/10W J
R1604	NRSA02J-393X	MG R	39kΩ 1/10W J
R1605	NRSA02J-681X	MG R	680Ω 1/10W J
R1606	NRSA02J-393X	MG R	39kΩ 1/10W J
R1607	NRSA02J-681X	MG R	680Ω 1/10W J
R1608-09	NRSA02J-183X	MG R	18kΩ 1/10W J
R1610-11	NRSA02J-822X	MG R	8.2kΩ 1/10W J
R1633	NRSA02J-273X	MG R	27kΩ 1/10W J
R1638	NRSA02J-473X	MG R	47kΩ 1/10W J
R1648	NRSA02J-104X	MG R	100kΩ 1/10W J
R1649	NRSA02J-682X	MG R	6.8kΩ 1/10W J
R1650	NRSA02J-104X	MG R	100kΩ 1/10W J
R1660	QRK126J-2R2X	C R	2.2Ω 1/2W J
R1661	NRSA02J-103X	MG R	10kΩ 1/10W J
R1663	NRSA02J-561X	MG R	560Ω 1/10W J
R1664	NRSA02J-562X	MG R	5.6kΩ 1/10W J
R1683	QRK126J-2R2X	C R	2.2Ω 1/2W J
R1689	NRSA02J-473X	MG R	47kΩ 1/10W J
R1690	QRG01GJ-270	OM R	27Ω 1W J
R1701	NRSA02J-221X	MG R	220Ω 1/10W J
R1702	NRSA02J-822X	MG R	8.2kΩ 1/10W J
R1703	NRSA02J-273X	MG R	27kΩ 1/10W J
R1704	NRSA02J-473X	MG R	47kΩ 1/10W J
R1705	NRSA02J-102X	MG R	1kΩ 1/10W J
R1706	NRSA02J-223X	MG R	22kΩ 1/10W J
R1707-12	NRSA02J-103X	MG R	10kΩ 1/10W J
R1713	NRSA02J-102X	MG R	1kΩ 1/10W J
R1714	NRSA02J-102X	MG R	1kΩ 1/10W J
R1716	NRSA02J-102X	MG R	1kΩ 1/10W J
R1717	NRSA02J-104X	MG R	100kΩ 1/10W J
R1718-19	NRSA02J-682X	MG R	6.8kΩ 1/10W J
R1720	NRSA02J-472X	MG R	4.7kΩ 1/10W J
R1721	NRSA02J-103X	MG R	10kΩ 1/10W J
R1722	NRSA02J-472X	MG R	4.7kΩ 1/10W J
R1723	NRSA02J-102X	MG R	1kΩ 1/10W J
R1724-28	NRSA02J-472X	MG R	4.7kΩ 1/10W J
R1729-31	NRSA02J-221X	MG R	220Ω 1/10W J
R1732	NRSA02J-562X	MG R	5.6kΩ 1/10W J
R1733	NRSA02J-103X	MG R	10kΩ 1/10W J
R1734	NRSA02J-223X	MG R	22kΩ 1/10W J
R1736-39	NRSA02J-103X	MG R	10kΩ 1/10W J
R1740	NRSA02J-331X	MG R	330Ω 1/10W J
R1741	NRSA02J-102X	MG R	1kΩ 1/10W J
R1742	NRSA02J-102X	MG R	1kΩ 1/10W J
R1743-44	NRSA02J-101X	MG R	100Ω 1/10W J
R1745-47	NRSA02J-472X	MG R	4.7kΩ 1/10W J
R1748-52	NRSA02J-221X	MG R	220Ω 1/10W J

△ Symbol No.	Part No.	Part Name	Description
--------------	----------	-----------	-------------

**RESISTOR**

R1753	NRSA02J-102X	MG R	1kΩ 1/10W J
R1754	NRSA02J-683X	MG R	68kΩ 1/10W J
R1755	NRSA02J-102X	MG R	1kΩ 1/10W J
R1756	NRSA02J-103X	MG R	10kΩ 1/10W J
R1759	NRSA02J-472X	MG R	4.7kΩ 1/10W J
R1763	NRSA02J-103X	MG R	10kΩ 1/10W J
R1764-66	NRSA02J-221X	MG R	220Ω 1/10W J
R1767	NRSA02J-103X	MG R	10kΩ 1/10W J
R1770	NRSA02J-272X	MG R	2.7kΩ 1/10W J
R1771-73	NRSA02J-222X	MG R	2.2kΩ 1/10W J
R1774-75	NRSA02J-333X	MG R	33kΩ 1/10W J
R1777-79	NRSA02J-222X	MG R	2.2kΩ 1/10W J
R1780	NRSA02J-102X	MG R	1kΩ 1/10W J
R1784	NRSA02J-223X	MG R	22kΩ 1/10W J
R1785	NRSA02J-223X	MG R	22kΩ 1/10W J
R1786	NRSA02J-473X	MG R	47kΩ 1/10W J
R1787	NRSA02J-332X	MG R	3.3kΩ 1/10W J
R1788	NRSA02J-272X	MG R	2.7kΩ 1/10W J
R1789	NRSA02J-473X	MG R	47kΩ 1/10W J
R1790	NRSA02J-682X	MG R	6.8kΩ 1/10W J
R1801	NRSA02J-333X	MG R	33kΩ 1/10W J
R1802	NRSA02J-222X	MG R	2.2kΩ 1/10W J
R1804	NRSA02J-473X	MG R	47kΩ 1/10W J
R1805	NRSA02J-332X	MG R	3.3kΩ 1/10W J
R1806	NRSA02J-184X	MG R	180kΩ 1/10W J
R1834	NRSA02J-473X	MG R	47kΩ 1/10W J
R1835	NRSA02J-152X	MG R	1.5kΩ 1/10W J
R1837	NRSA02J-102X	MG R	1kΩ 1/10W J
R1838	NRSA02J-393X	MG R	39kΩ 1/10W J
R1839	NRSA02J-332X	MG R	3.3kΩ 1/10W J
R1840	NRSA02J-152X	MG R	1.5kΩ 1/10W J
R1841	NRSA02J-331X	MG R	330Ω 1/10W J
R1842	NRSA02J-222X	MG R	2.2kΩ 1/10W J
R1843	NRSA02J-332X	MG R	3.3kΩ 1/10W J
R1844	NRSA02J-392X	MG R	3.9kΩ 1/10W J
R1845	NRSA02J-272X	MG R	2.7kΩ 1/10W J
R1846	NRSA02J-103X	MG R	10kΩ 1/10W J
R1847-48	NRSA02J-472X	MG R	4.7kΩ 1/10W J
R1849	NRSA02J-823X	MG R	82kΩ 1/10W J
R1850	NRSA02J-102X	MG R	1kΩ 1/10W J
R1851	NRSA02J-102X	MG R	1kΩ 1/10W J
R1852	NRSA02J-102X	MG R	1kΩ 1/10W J
R1853	NRSA02J-102X	MG R	1kΩ 1/10W J
R1854	NRSA02J-102X	MG R	1kΩ 1/10W J
R1855	NRSA02J-102X	MG R	1kΩ 1/10W J
R1856	NRSA02J-102X	MG R	1kΩ 1/10W J
R1857	NRSA02J-472X	MG R	4.7kΩ 1/10W J
R1858	NRSA02J-223X	MG R	22kΩ 1/10W J
R1859	NRSA02J-823X	MG R	82kΩ 1/10W J
R1871	NRSA02J-102X	MG R	1kΩ 1/10W J
R1872-73	NRSA02J-222X	MG R	2.2kΩ 1/10W J
R1874	NRSA02J-272X	MG R	2.7kΩ 1/10W J
R1875	NRSA02J-104X	MG R	100kΩ 1/10W J
R1876	NRSA02J-102X	MG R	1kΩ 1/10W J
R1877	NRSA02J-393X	MG R	39kΩ 1/10W J
R1878-80	NRSA02J-152X	MG R	1.5kΩ 1/10W J
R1881-82	NRSA02J-331X	MG R	330Ω 1/10W J
R1883	NRSA02J-102X	MG R	1kΩ 1/10W J
R1884	NRSA02J-331X	MG R	330Ω 1/10W J

**CAPACITOR**

C1001	NCB21HK-222X	C CAP.	2200pF 50V K
C1003	NCB21EK-104X	C CAP.	0.1μF 25V K
C1004	QETN1CM-108Z	E CAP.	1000μF 16V M
C1005	QETN1CM-107Z	E CAP.	100μF 16V M
C1006	QETN1HM-106Z	E CAP.	10μF 50V M
C1007	NCB21EK-104X	C CAP.	0.1μF 25V K
C1008	QETN1HM-106Z	E CAP.	10μF 50V M
C1009	NCB21EK-104X	C CAP.	0.1μF 25V K
C1010	QETN1CM-107Z	E CAP.	100μF 16V M
C1301	NCB21EK-104X	C CAP.	0.1μF 25V K

△ Symbol No.	Part No.	Part Name	Description
--------------	----------	-----------	-------------

**CAPACITOR**

C1302	NCB21HK-823X	CHIP CAP.	0.082μF 50V K
C1303	QETN1EM-476Z	E CAP.	47μF 25V M
C1304	NCB21HK-103X	C CAP.	0.01μF 50V K
C1305	QETN1CM-107Z	E CAP.	100μF 16V M
C1306	NCB21HK-103X	C CAP.	0.01μF 50V K
C1307	QETN1CM-477Z	E CAP.	470μF 16V M
C1308	NDC21HJ-120X	C CAP.	12pF 50V J
C1309	QETN1HM-475Z	E CAP.	4.7μF 50V M
C1310	NCB21HK-103X	C CAP.	0.01μF 50V K
C1311	QETN1HM-106Z	E CAP.	10μF 50V M
C1312	NDC21HJ-680X	C CAP.	680pF 50V J
C1313	QETN1CM-107Z	E CAP.	100μF 16V M
C1314	NCB21HK-103X	C CAP.	0.01μF 50V K
C1315	QETN1HM-106Z	E CAP.	10μF 50V M
C1319	QETN1CM-107Z	E CAP.	100μF 16V M
C1320	NCB21HK-103X	C CAP.	0.01μF 50V K
C1321-23	NCB21EK-104X	C CAP.	0.1μF 25V K
C1324-26	QETN1HM-105Z	E CAP.	1μF 50V M
C1327	QETN1HM-475Z	E CAP.	4.7μF 50V M
C1328	QETN1CM-107Z	E CAP.	100μF 16V M
C1329	QETN1EM-476Z	E CAP.	47μF 25V M
C1330	NDC21HJ-390X	C CAP.	39pF 50V J
C1331	QETN1HM-105Z	E CAP.	1μF 50V M
C1332	NCB21HK-103X	C CAP.	0.01μF 50V K
C1333	NCB21EK-104X	C CAP.	0.1μF 25V K
C1401	QETN1HM-105Z	E CAP.	1μF 50V M
C1403-05	NCB21HK-103X	C CAP.	0.01μF 50V K
C1406	QFV71HJ-184Z	MF CAP.	0.18μF 50V J
C1407	QFV71HJ-824Z	MF CAP.	0.82μF 50V J
C1408	NCB21HK-153X	C CAP.	0.015μF 50V K
C1501	QETN1CM-107Z	E CAP.	100μF 16V M
C1502-04	NCB21HK-103X	C CAP.	0.01μF 50V K
C1505	NCB21HK-332X	C CAP.	3300pF 50V K
C1506	QETN1HM-335Z	E CAP.	3.3μF 50V M
C1507	NCB21HK-103X	C CAP.	0.01μF 50V K
C1508	QETN1CM-108Z	E CAP.	1000μF 16V M
C1509	NCB21HK-823X	CHIP CAP.	0.082μF 50V K
C1510-11	NCB21HK-103X	C CAP.	0.01μF 50V K
C1512	QTMN1HM-105Z	E CAP.	
C1513	QETN1CM-228Z	E CAP.	2200μF 16V M
C1514	NCB21HK-103X	C CAP.	0.01μF 50V K
C1515	QFV71HJ-394Z	MF CAP.	0.39μF 50V J
C1516	NCB21HK-103X	C CAP.	0.01μF 50V K
C1551-52	NCB21EK-224X	CHIP CAP.	0.22μF 25V K
C1553	QETN1EM-476Z	E CAP.	47μF 25V M
C1554-55	NCB21EK-224X	CHIP CAP.	0.22μF 25V K
C1571	NCB21HK-103X	C CAP.	0.01μF 50V K
C1601-02	NCB21HK-103X	C CAP.	0.01μF 50V K
C1603-04	NCF21CZ-105X	C CAP.	1μF 16V Z
C1606	NRSA02J-0R0X	MG R	0.0Ω 1/10W J
C1622-23	QETN1CM-227Z	E CAP.	220μF 16V M
C1625	QETN1HM-105Z	E CAP.	1μF 50V M
C1635	QETN1HM-105Z	E CAP.	1μF 50V M
C1636	QETN1HM-107Z	E CAP.	100μF 50V M
C1637	QETN1HM-106Z	E CAP.	10μF 50V M
C1638-39	NCF21HZ-224X	C CAP.	0.22μF 50V Z
C1653	NCF21HZ-224X	C CAP.	0.22μF 50V Z
C1655	NCF21HZ-224X	C CAP.	0.22μF 50V Z
C1656	QETM1HM-228	E CAP.	2200μF 50V M
C1661-62	QETM1VM-108	E CAP.	1000μF 35V M
C1668	NCB21EK-104X	C CAP.	0.1μF 25V K
C1671	QETN1CM-107Z	E CAP.	100μF 16V M
C1672	NCB21EK-104X	C CAP.	0.1μF 25V K
C1701	NCF21CZ-105X	C CAP.	1μF 16V Z
C1703	QETN1EM-476Z	E CAP.	47μF 25V M
C1704	NCB21EK-104X	C CAP.	0.1μF 25V K
C1705	QETN1AM-107Z	E CAP.	100μF 10V M
C1706	NCB21EK-104X	C CAP.	0.1μF 25V K
C1707	QETN1HM-474Z	E CAP.	0.47μF 50V M
C1708	QETN1EM-476Z	E CAP.	47μF 25V M
C1709-10	NDC21HJ-9R0X	C CAP.	9.0pF 50V J
C1711	NCB21EK-104X	C CAP.	0.1μF 25V K

△ Symbol No.	Part No.	Part Name	Description
<b>CAPACITOR</b>			
C1712	NDC21HJ-151X	C CAP.	150pF 50V J
C1713	QETN1HM-105Z	E CAP.	1μF 50V M
C1714	NDC21HJ-561X	C CAP.	560pF 50V J
C1716-17	QETN1HM-105Z	E CAP.	1μF 50V M
C1718	NCB21HK-333X	C CAP.	0.033μF 50V K
C1725	NCB21HK-102X	C CAP.	1000pF 50V K
C1831	QENC1CM-476Z	BP E CAP.	47μF 16V M
C1832	QETN1EM-476Z	E CAP.	47μF 25V M
C1833	NDC21HJ-221X	C CAP.	220pF 50V J
C1834	NCB21EK-104X	C CAP.	0.1μF 25V K
C1835	NDC21HJ-220X	C CAP.	22pF 50V J
C1836-38	NCB21EK-104X	C CAP.	0.1μF 25V K
C1839	QETN1HM-106Z	E CAP.	10μF 50V M
C1871	NCB21EK-104X	C CAP.	0.1μF 25V K
C1872	NCB21HK-223X	C CAP.	0.022μF 50V K
C1873	NDC21HJ-221X	C CAP.	220pF 50V J
C1874-75	NDC21HJ-150X	C CAP.	15pF 50V J
C1876	NCB21HK-102X	C CAP.	1000pF 50V K
C1877	NCB21EK-104X	C CAP.	0.1μF 25V K
C1878	NCB21HK-102X	C CAP.	1000pF 50V K
C1879	NDC21HJ-180X	C CAP.	18pF 50V J
C1880	QETN1AM-477Z	E CAP.	470μF 10V M
C1881	NCB21EK-104X	C CAP.	0.1μF 25V K
C1882	QETN1EM-476Z	E CAP.	47μF 25V M
C1883	NCB21HK-103X	C CAP.	0.01μF 50V K
C1884-85	NCB21EK-104X	C CAP.	0.1μF 25V K
C1886	NCB21HK-103X	C CAP.	0.01μF 50V K
C1887-89	QETN1HM-106Z	E CAP.	10μF 50V M
C1890	NCB21HK-103X	C CAP.	0.01μF 50V K

<b>COIL</b>			
L1001	QQL244K-5R6Z	COIL	5.6μH K
L1002	QQL244K-270Z	PEAKING COIL	
L1301-02	QQL244K-4R7Z	COIL	4.7μH K
L1305	QQL244K-4R7Z	COIL	4.7μH K
L1306	QQL244K-330Z	COIL	33μH K
L1501	QQL244J-151Z	PEAKING COIL	
L1701	QQL244K-4R7Z	COIL	4.7μH K
L1702	QQL244K-3R9Z	COIL	3.9μH K
L1871	QQL244K-4R7Z	COIL	4.7μH K

<b>DIODE</b>			
D1301	MA3051/M/-X	ZENER DIODE	
D1302-04	MA111-X	SI DIODE	
D1503	RB100A-T2	SI DIODE	
D1602	MA111-X	SI DIODE	
D1608-10	MA111-X	SI DIODE	
D1612-13	MA111-X	SI DIODE	
D1617-18	MA3330/L/-X	ZENER DIODE	
D1624-25	MA111-X	SI DIODE	
D1701	MA3068/M/-X	ZENER DIODE	
D1702	MA111-X	SI DIODE	
D1704	MA111-X	SI DIODE	
D1705	MA3036-X	ZENER DIODE	
D1706-08	MA111-X	SI DIODE	
D1710	MA111-X	SI DIODE	
D1831	MA3051/M/-X	ZENER DIODE	

<b>TRANSISTOR</b>			
Q1301-02	2SA1037AK/QR/-X	SI TRANSISTOR	
Q1308	DTC124EKA-X	DIGI. TRANSISTOR	
Q1309	2SC2412K/QR/-X	SI TRANSISTOR	
Q1310	2SA1037AK/QR/-X	SI TRANSISTOR	
Q1311	DTC124EKA-X	DIGI. TRANSISTOR	
Q1312	2SA1037AK/QR/-X	SI TRANSISTOR	
Q1401	DTC124EKA-X	DIGI. TRANSISTOR	
Q1402	2SC2412K/QR/-X	SI TRANSISTOR	
Q1601	2SA1037AK/QR/-X	SI TRANSISTOR	
Q1602-03	DTC323TK-X	DIGI. TRANSISTOR	
Q1604	2SA1037AK/QR/-X	SI TRANSISTOR	
Q1609	2SA1037AK/QR/-X	SI TRANSISTOR	
Q1610	DTC323TK-X	DIGI. TRANSISTOR	
Q1612	DTC323TK-X	DIGI. TRANSISTOR	

△ Symbol No.	Part No.	Part Name	Description
<b>TRANSISTOR</b>			
Q1613	2SA1037AK/QR/-X	SI TRANSISTOR	
Q1614	2SC2412K/QR/-X	SI TRANSISTOR	
Q1701-04	2SC2412K/QR/-X	SI TRANSISTOR	
Q1705-06	2SA1037AK/QR/-X	SI TRANSISTOR	
Q1707	2SC2412K/QR/-X	SI TRANSISTOR	
Q1708	2SA1037AK/QR/-X	SI TRANSISTOR	
Q1709-10	2SC2412K/QR/-X	SI TRANSISTOR	
Q1832-33	2SC2412K/QR/-X	SI TRANSISTOR	
Q1834	2SA1037AK/QR/-X	SI TRANSISTOR	
Q1835-37	2SC2412K/QR/-X	SI TRANSISTOR	
Q1871	2SA1037AK/QR/-X	SI TRANSISTOR	
Q1872	2SC2412K/QR/-X	SI TRANSISTOR	

<b>IC</b>			
IC1301	TB1227CN	I.C. (DIGI-OTHER)	
IC1302	TC4053BP/W/	I.C. (DIGI-MOS)	
IC1501	AN5441SA-W	I.C. (MONO-ANA)	
IC1551	LA6515	I.C. (MONO-ANA)	
IC1601	TA8246AH	I.C. (HYBRID)	
IC1607	BA05T	I.C. (MONO-ANA)	
IC1701	M37280MK-1065P	I.C. (MICRO-COMP)	
IC1702	BR24C16-32S2EK	I.C.	(SERVICE)
IC1703	L78LR05E-MA	I.C. (MONO-ANA)	
IC1704	JLC1562BF-X	I.C. (DIGI-MOS)	
IC1831	JCC5035	I.C. (DIGI-MOS)	
IC1832	MN1382/Q/-X	I.C. (MONO-ANA)	
IC1871	ET417	I.C. (M)	
IC1872	ET206	I.C. (M)	

<b>OTHERS</b>			
J1001	QNN0296-001	PIN JACK	
K1001	CE41433-001Z	BEADS CORE	
K1004	CE41433-001Z	BEADS CORE	
K1307	CE41433-001Z	BEADS CORE	
K1601-02	CE42681-001Y	BEADS CORE	
K1872	QQL244K-3R3Z	COIL	3.3μH K
LC1301	CE42142-222Z	EMI FILTER	
TU1001	QAU0188-003	TUNER	
X1301	QAX0305-001Z	CRYSTAL	
X1701	CST8.00MTW	CER. RESONATOR	
X1831	QAX0624-001Z	CER. RESONATOR	
X1871	CE41257-001Z	CRYSTAL	

**■ POWER & DEF. P.W. BOARD ASS'Y (SJK-2514A-U2)**

Refer to PARTS LIST in page 39 for this P.W. board.

**■ CRT SOCKET P.W. BOARD ASS'Y (SJK-3514A-U2)**

Refer to PARTS LIST in page 40 for this P.W. board.

**■ FRONT CONTROL P.W. BOARD ASS'Y (SJK-8514A-U2)**

Refer to PARTS LIST in page 41 for this P.W. board.

**■ SIDE CONTROL P.W. BOARD ASS'Y (SJK-8551A-U2)**

Refer to PARTS LIST in page 41 for this P.W. board.



### AV SEL. P.W. BOARD ASS'Y (SJK0S714A-U2)

Symbol No.	Part No.	Part Name	Description
<b>RESISTOR</b>			
R0101-08	NRSA02J-750X	MG R	75Ω 1/10W J
R0110	NRSA02J-823X	MG R	82kΩ 1/10W J
R0112	NRSA02J-823X	MG R	82kΩ 1/10W J
R0113	NRSA02J-750X	MG R	75Ω 1/10W J
R0114	NRSA02J-473X	MG R	47kΩ 1/10W J
R0115	NRSA02J-223X	MG R	22kΩ 1/10W J
R0116	NRSA02J-223X	MG R	22kΩ 1/10W J
R0117-18	NRSA02J-823X	MG R	82kΩ 1/10W J
R0119-20	NRSA02J-391X	MG R	390Ω 1/10W J
R0123	NRSA02J-104X	MG R	100kΩ 1/10W J
R0124-25	NRSA02J-101X	MG R	100Ω 1/10W J
R0126	NRSA02J-333X	MG R	33kΩ 1/10W J
R0127	NRSA02J-101X	MG R	100Ω 1/10W J
R0128	NRSA02J-103X	MG R	10kΩ 1/10W J
R0129	NRSA02J-823X	MG R	82kΩ 1/10W J
R0130	NRSA02J-473X	MG R	47kΩ 1/10W J
R0131	NRSA02J-273X	MG R	27kΩ 1/10W J
R0132	NRSA02J-153X	MG R	15kΩ 1/10W J
R0133	NRSA02J-222X	MG R	2.2kΩ 1/10W J
R0134	NRSA02J-333X	MG R	33kΩ 1/10W J
R0135	NRSA02J-222X	MG R	2.2kΩ 1/10W J
R0136-37	NRSA02J-333X	MG R	33kΩ 1/10W J
R0138	NRSA02J-473X	MG R	47kΩ 1/10W J
R0139	NRSA02J-823X	MG R	82kΩ 1/10W J
R0140	NRSA02J-103X	MG R	10kΩ 1/10W J
R0141	NRSA02J-153X	MG R	15kΩ 1/10W J
R0142	NRSA02J-223X	MG R	22kΩ 1/10W J
R0143	NRSA02J-473X	MG R	47kΩ 1/10W J
R0144	NRSA02J-273X	MG R	27kΩ 1/10W J
R0146	NRSA02J-391X	MG R	390Ω 1/10W J
R0148	NRSA02J-391X	MG R	390Ω 1/10W J
R0151	NRSA02J-104X	MG R	100kΩ 1/10W J
R0152	NRSA02J-222X	MG R	2.2kΩ 1/10W J
R0153	NRSA02J-333X	MG R	33kΩ 1/10W J
R0154	NRSA02J-222X	MG R	2.2kΩ 1/10W J
R0155	NRSA02J-333X	MG R	33kΩ 1/10W J
R0156-69	NRSA02J-101X	MG R	100Ω 1/10W J
R0170	NRSA02J-333X	MG R	33kΩ 1/10W J
R0171	NRSA02J-222X	MG R	2.2kΩ 1/10W J
R0172	NRSA02J-473X	MG R	47kΩ 1/10W J
R0173	NRSA02J-823X	MG R	82kΩ 1/10W J
R0174	NRSA02J-103X	MG R	10kΩ 1/10W J
R0175	NRSA02J-153X	MG R	15kΩ 1/10W J
R0176	NRSA02J-473X	MG R	47kΩ 1/10W J
R0177	NRSA02J-273X	MG R	27kΩ 1/10W J
R0180-83	NRSA02J-101X	MG R	100Ω 1/10W J
R0184	NRSA02J-333X	MG R	33kΩ 1/10W J
R0185	NRSA02J-222X	MG R	2.2kΩ 1/10W J
R0186	NRSA02J-333X	MG R	33kΩ 1/10W J
R0188	NRSA02J-101X	MG R	100Ω 1/10W J
R0189-90	NRSA02J-221X	MG R	220Ω 1/10W J
R0191-92	NRSA02J-562X	MG R	5.6kΩ 1/10W J
R0193	NRSA02J-102X	MG R	1kΩ 1/10W J
R0194	NRSA02J-102X	MG R	1kΩ 1/10W J
R0195	QRG01GJ-101	OM R	100Ω 1W
R0197	QRK126J-181X	C R	180Ω 1/2W J
R0198	NRSA02J-750X	MG R	75Ω 1/10W J
R0199	NRSA02J-101X	MG R	100Ω 1/10W J
R0202	QRK126J-151X	C R	150Ω 1/2W J
R0203-05	NRSA02J-750X	MG R	75Ω 1/10W J
R0207	NRSA02J-222X	MG R	2.2kΩ 1/10W J
R0208	NRSA02J-333X	MG R	33kΩ 1/10W J
R0209	NRSA02J-222X	MG R	2.2kΩ 1/10W J
R0210	NRSA02J-333X	MG R	33kΩ 1/10W J
R0211-12	NRSA02J-103X	MG R	10kΩ 1/10W J
R0301	NRSA02J-103X	MG R	10kΩ 1/10W J
R0302	NRSA02J-562X	MG R	5.6kΩ 1/10W J
R0303-04	NRSA02J-222X	MG R	2.2kΩ 1/10W J
R0305	NRSA02J-103X	MG R	10kΩ 1/10W J
R0309	NRSA02J-562X	MG R	5.6kΩ 1/10W J
R0310	NRSA02J-392X	MG R	3.9kΩ 1/10W J
R0313	NRSA02J-101X	MG R	100Ω 1/10W J

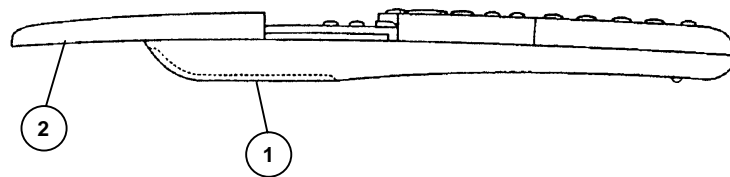
Symbol No.	Part No.	Part Name	Description
<b>RESISTOR</b>			
R0314	NRSA02J-473X	MG R	47kΩ 1/10W J
R0315	NRSA02J-102X	MG R	1kΩ 1/10W J
R0316	NRSA02J-122X	MG R	1.2kΩ 1/10W J
R0317	NRSA02J-273X	MG R	27kΩ 1/10W J
R0318	NRSA02J-102X	MG R	1kΩ 1/10W J
R0319	NRSA02J-102X	MG R	1kΩ 1/10W J
R0320	NRSA02J-473X	MG R	47kΩ 1/10W J
R0321	NRSA02J-101X	MG R	100Ω 1/10W J
R0322	NRSA02J-273X	MG R	27kΩ 1/10W J
R0323	NRSA02J-122X	MG R	1.2kΩ 1/10W J
R0324	NRSA02J-102X	MG R	1kΩ 1/10W J
R0325	NRSA02J-682X	MG R	6.8kΩ 1/10W J
R0603	NRSA02J-102X	MG R	1kΩ 1/10W J
R0606	QRG01GJ-181	OM R	180Ω 1W
R0607	NRSA02J-123X	MG R	12kΩ 1/10W J
R0608	NRSA02J-181X	MG R	180Ω 1/10W J
R0609	NRSA02J-123X	MG R	12kΩ 1/10W J
R0610	NRSA02J-561X	MG R	560Ω 1/10W J
R0614	NRSA02J-223X	MG R	22kΩ 1/10W J
R0615	NRSA02J-273X	MG R	27kΩ 1/10W J
R0617	NRSA02J-103X	MG R	10kΩ 1/10W J
R0619-20	NRSA02J-103X	MG R	10kΩ 1/10W J
R0622	NRSA02J-223X	MG R	22kΩ 1/10W J
R0623	NRSA02J-273X	MG R	27kΩ 1/10W J
R0624	NRSA02J-104X	MG R	100kΩ 1/10W J
R0628	NRSA02J-0R0X	MG R	0.0Ω 1/10W J
R0629-30	NRSA02J-101X	MG R	100Ω 1/10W J
R0631	NRSA02J-122X	MG R	1.2kΩ 1/10W J
R0632	NRSA02J-223X	MG R	22kΩ 1/10W J
R0633	NRSA02J-272X	MG R	2.7kΩ 1/10W J
R0634	NRSA02J-223X	MG R	22kΩ 1/10W J
R0635	NRSA02J-272X	MG R	2.7kΩ 1/10W J
R0636	NRSA02J-682X	MG R	6.8kΩ 1/10W J
R0638	NRSA02J-682X	MG R	6.8kΩ 1/10W J
R0647-48	NRSA02J-101X	MG R	100Ω 1/10W J
<b>CAPACITOR</b>			
C0101	NDC21HJ-151X	C CAP.	150pF 50V J
C0102	QETN1CM-477Z	E CAP.	470nF 16V M
C0103-05	QETN1HM-106Z	E CAP.	10μF 50V M
C0106	NCB21HK-472X	C CAP.	4700pF 50V K
C0107	NCB21HK-152X	C CAP.	1500pF 50V K
C0108	NCB21HK-472X	C CAP.	4700pF 50V K
C0109	NCB21HK-152X	C CAP.	1500pF 50V K
C0110	QETN1CM-477Z	E CAP.	470nF 16V M
C0111-12	NCB21HK-472X	C CAP.	4700pF 50V K
C0113	NDC21HJ-151X	C CAP.	150pF 50V J
C0114-15	NCB21HK-472X	C CAP.	4700pF 50V K
C0116-17	QETN1HM-106Z	E CAP.	10μF 50V M
C0118	NCB21HK-102X	C CAP.	1000pF 50V K
C0119	QETN1HM-105Z	E CAP.	1μF 50V M
C0120	QETN1HM-106Z	E CAP.	10μF 50V M
C0121	QETN1HM-105Z	E CAP.	1μF 50V M
C0122	NCB21HK-103X	C CAP.	0.01μF 50V K
C0123	NCB21HK-102X	C CAP.	1000pF 50V K
C0124-25	QETN1HM-106Z	E CAP.	10μF 50V M
C0126	QETN1HM-105Z	E CAP.	1μF 50V M
C0127	QETN1HM-106Z	E CAP.	10μF 50V M
C0128	QETN1HM-105Z	E CAP.	1μF 50V M
C0129	QETN1HM-106Z	E CAP.	10μF 50V M
C0130	QETN1HM-105Z	E CAP.	1μF 50V M
C0131	NCB21HK-102X	C CAP.	1000pF 50V K
C0132	QETN1HM-105Z	E CAP.	1μF 50V M
C0133	NCB21HK-103X	C CAP.	0.01μF 50V K
C0136	QETN1HM-106Z	E CAP.	10μF 50V M
C0137	QENC1EM-106Z	BP E CAP.	10μF 25V M
C0139	QENC1EM-106Z	BP E CAP.	10μF 25V M
C0140	QETN1CM-107Z	E CAP.	100nF 16V M
C0141	NCB21HK-103X	C CAP.	0.01μF 50V K
C0142	NCF21CZ-105X	C CAP.	1μF 16V Z
C0143	QENC1EM-106Z	BP E CAP.	10μF 25V M

△ Symbol No.	Part No.	Part Name	Description
<b>CAPACITOR</b>			
C0144	NCF21CZ-105X	C CAP.	1μF 16V Z
C0145-46	QETN1CM-107Z	E CAP.	100μF 16V M
C0147	QETN1CM-477Z	E CAP.	470μF 16V M
C0149	NCB21HK-103X	C CAP.	0.01μF 50V K
C0150-51	QETN1HM-106Z	E CAP.	10μF 50V M
C0152-53	QETN1HM-105Z	E CAP.	1μF 50V M
C0154-55	NDC21HJ-680X	C CAP.	68pF 50V J
C0156	NCB21HK-103X	C CAP.	0.01μF 50V K
C0157-58	NDC21HJ-680X	C CAP.	68pF 50V J
C0159	NDC21HJ-561X	C CAP.	560pF 50V J
C0160	NDC21HJ-102X	C CAP.	1000pF 50V J
C0301	NDC21HJ-271X	C CAP.	270pF 50V J
C0306-07	NCB21EK-104X	C CAP.	0.1μF 25V K
C0308	NCB21HK-103X	C CAP.	0.01μF 50V K
C0310-11	QETN1HM-106Z	E CAP.	10μF 50V M
C0312	NCB21HK-103X	C CAP.	0.01μF 50V K
C0313	NCB21EK-104X	C CAP.	0.1μF 25V K
C0610	NDC21HJ-821X	C CAP.	820pF 50V J
C0611-12	NDC21HJ-470X	C CAP.	47pF 50V J
C0614	NDC21HJ-180X	C CAP.	18pF 50V J
C0616	QETN1CM-107Z	E CAP.	100μF 16V M
C0617	NCB21EK-104X	C CAP.	0.1μF 25V K
C0618	QETN1HM-106Z	E CAP.	10μF 50V M
C0619	NCB21EK-104X	C CAP.	0.1μF 25V K
C0620	QETN1HM-106Z	E CAP.	10μF 50V M
C0621-22	NCF21CZ-105X	C CAP.	1μF 16V Z
C0623	NCB21EK-104X	C CAP.	0.1μF 25V K
C0624	QETN1HM-106Z	E CAP.	10μF 50V M
C0625	NCB21HK-332X	C CAP.	3300pF 50V K
C0626	NCB21HK-333X	C CAP.	0.033μF 50V K
C0627	NCF21CZ-105X	C CAP.	1μF 16V Z
C0628	QETN1EM-476Z	E CAP.	47μF 25V M
C0629	QETN1HM-106Z	E CAP.	10μF 50V M
C0630-31	NCB21HK-102X	C CAP.	1000pF 50V K
C0632	NCB21EK-104X	C CAP.	0.1μF 25V K
C0633	QETN1HM-106Z	E CAP.	10μF 50V M
C0634-35	NCB21HK-103X	C CAP.	0.01μF 50V K
C0636	NDC21HJ-2R0X	C CAP.	2.0pF 50V J
C0637	NCB21HK-332X	C CAP.	3300pF 50V K
C0638	NCB21HK-333X	C CAP.	0.033μF 50V K
C0639	QETN1HM-106Z	E CAP.	10μF 50V M
C0640	QETN1EM-476Z	E CAP.	47μF 25V M
C0641	NCB21EK-104X	C CAP.	0.1μF 25V K
C0642	NDC21HJ-2R0X	C CAP.	2.0pF 50V J
C0643	NCF21CZ-105X	C CAP.	1μF 16V Z
C0645	NCB21HK-103X	C CAP.	0.01μF 50V K
C0646	NCB21EK-104X	C CAP.	0.1μF 25V K
C0647	QETN1CM-107Z	E CAP.	100μF 16V M
C0648	NCB21EK-104X	C CAP.	0.1μF 25V K
C0649	QETN1CM-107Z	E CAP.	100μF 16V M
C0650	NDC21HJ-221X	C CAP.	220pF 50V J
C0651	NCB21HK-562X	C CAP.	5600pF 50V K
C0652	QETN1EM-476Z	E CAP.	47μF 25V M
C0653	NDC21HJ-221X	C CAP.	220pF 50V J
C0654	NCB21HK-562X	C CAP.	5600pF 50V K
C0659-60	NCF21CZ-105X	C CAP.	1μF 16V Z
C0677-78	NCB21HK-102X	C CAP.	1000pF 50V K
<b>COIL</b>			
L0114	QQR0716-001Z	LEAD CORE	
L0301	QQL244J-221Z	PEAKING COIL	
L0601	QQL244K-220Z	PEAKING COIL	
L0602	QQL244K-180Z	COIL	18μH K
L0604	QQL244K-100Z	COIL	10μH K
L0605	QQL244K-4R7Z	COIL	4.7μH K
<b>DIODE</b>			
D0101-13	MA3120/M/-X	ZENER DIODE	
D0601	RD8.2E/B2/-T2	ZENER DIODE	
D0602	MA3062/M/-X	ZENER DIODE	

△ Symbol No.	Part No.	Part Name	Description
<b>TRANSISTOR</b>			
Q0101	DTC323TK-X	DIGI. TRANSISTOR	
Q0102	2SA1037AK/QR/-X	SI. TRANSISTOR	
Q0103	DTC323TK-X	DIGI. TRANSISTOR	
Q0104-07	2SC2412K/QR/-X	SI. TRANSISTOR	
Q0108	2SA1037AK/QR/-X	SI. TRANSISTOR	
Q0109-10	DTC323TK-X	DIGI. TRANSISTOR	
Q0111-12	2SC2412K/QR/-X	SI. TRANSISTOR	
Q0116	2SA933AS/QR/-T	SI. TRANSISTOR	
Q0118	2SC1740S/QR/-T	SI. TRANSISTOR	
Q0119-20	2SC2412K/QR/-X	SI. TRANSISTOR	
Q0301	2SA1037AK/QR/-X	SI. TRANSISTOR	
Q0302-03	DTC124EKA-X	DIGI. TRANSISTOR	
Q0304-05	2SA1037AK/QR/-X	SI. TRANSISTOR	
Q0306	2SC2412K/QR/-X	SI. TRANSISTOR	
Q0307	2SA1037AK/QR/-X	SI. TRANSISTOR	
Q0308	2SC2412K/QR/-X	SI. TRANSISTOR	
Q0601	2SC2412K/QR/-X	SI. TRANSISTOR	
Q0602	DTC323TK-X	DIGI. TRANSISTOR	
Q0603	2SA1037AK/QR/-X	SI. TRANSISTOR	
<b>IC</b>			
IC0101	CXA2089Q-X	I. C. (MONO-ANA)	
IC0302	TDA9181T/N1-X	I. C. (MONO-ANA)	
IC0602	NJM2150AM-X	I. C. (MONO-ANA)	
IC0603	MSP3415DQGB3GHX	I. C. (MONO-ANA)	
IC0604	BA4558F-X	I. C. (MONO-ANA)	
<b>OTHERS</b>			
CN0006	QGB1505K1-50	CONNECTOR	
LC0601-02	CE42482-103Y	EMI FILTER	
J0001	QN20465-001	PIN CONNECTOR	
J0002	QN20463-001	PIN CONNECTOR	
K0101-04	CE42681-001Y	BEADS CORE	
K0301	CE41433-001Z	BEADS CORE	
K0601	CE41433-001Z	BEADS CORE	
X0601	CE42546-001Z	CRYSTAL	

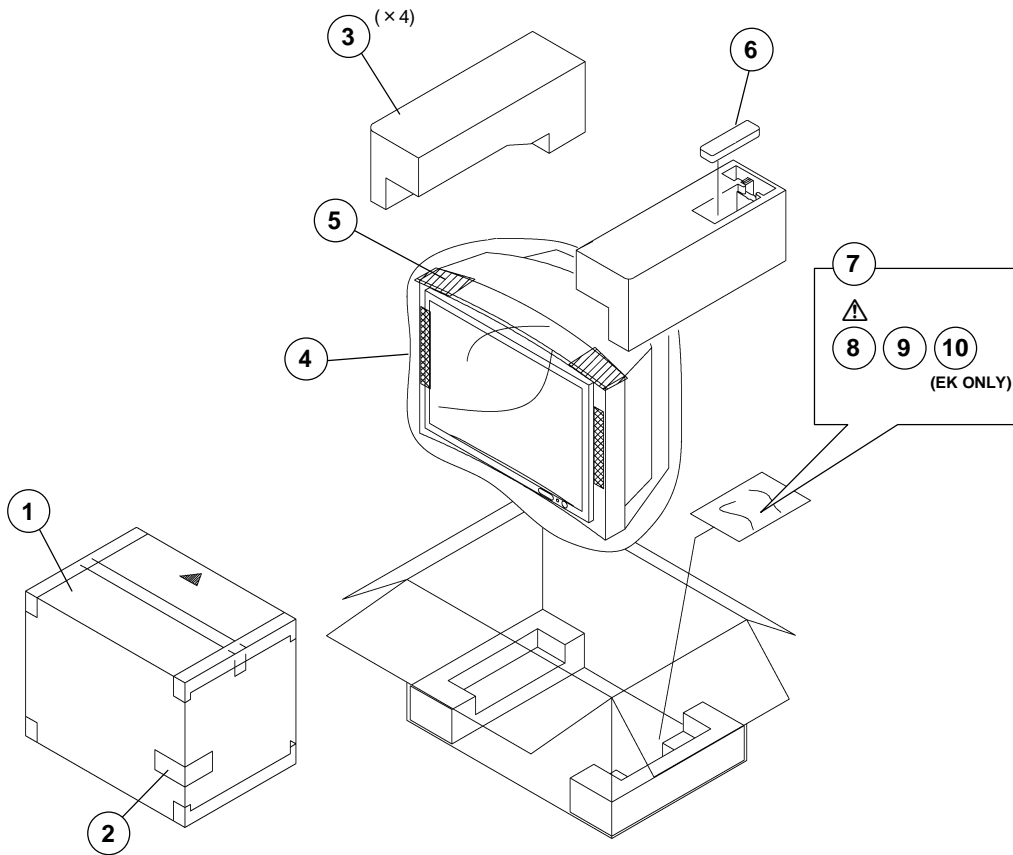
## REMOTE CONTROL UNIT PARTS LIST

△ Ref.No.	Part No.	Part Name	Description
1	2AA030733	BATTERY COVER	
2	2AA030740	SLIDE COVER	



AV32S2EKGR  
 AV32S2EKBL  
 AV32S2EIGR

## PACKING



## PACKING PARTS LIST

△ Ref.No.      Part No.      Part Name      Description

### AV32S2EKGR / AV32S2EKBL

1	AEM1002-071-E	PACKING CASE	
2	AEM1052-001-E	EURO LABEL	
3	LC10859-002A-U	CUSHION ASSY	4pcs in 1set
4	AEM1047-002-E	POLY BAG	
5	AEM4091-001A-U	PROTECT SHEET	
6	RM-C55-1C	REMOCON UNIT	
7	AEM3021-002-E	POLY BAG	
△ 8	LCT0895-001A-U	INST BOOK	
9	BT-54013-1E	WARRANTY CARD	
10	AEM3148-001-E	REG SHEET	

### AV32S2EIGR

1	AEM1002-071-E	PACKING CASE	
2	AEM1052-001-E	EURO LABEL	
3	LC10859-002A-U	CUSHION ASSY	4pcs in 1set
4	AEM1047-002-E	POLY BAG	
5	AEM4091-001A-U	PROTECT SHEET	
6	RM-C55-1C	REMOCON UNIT	
7	AEM3021-002-E	POLY BAG	
△ 8	LCT0896-001A-U	INST BOOK	
9	BT-54013-1E	WARRANTY CARD	